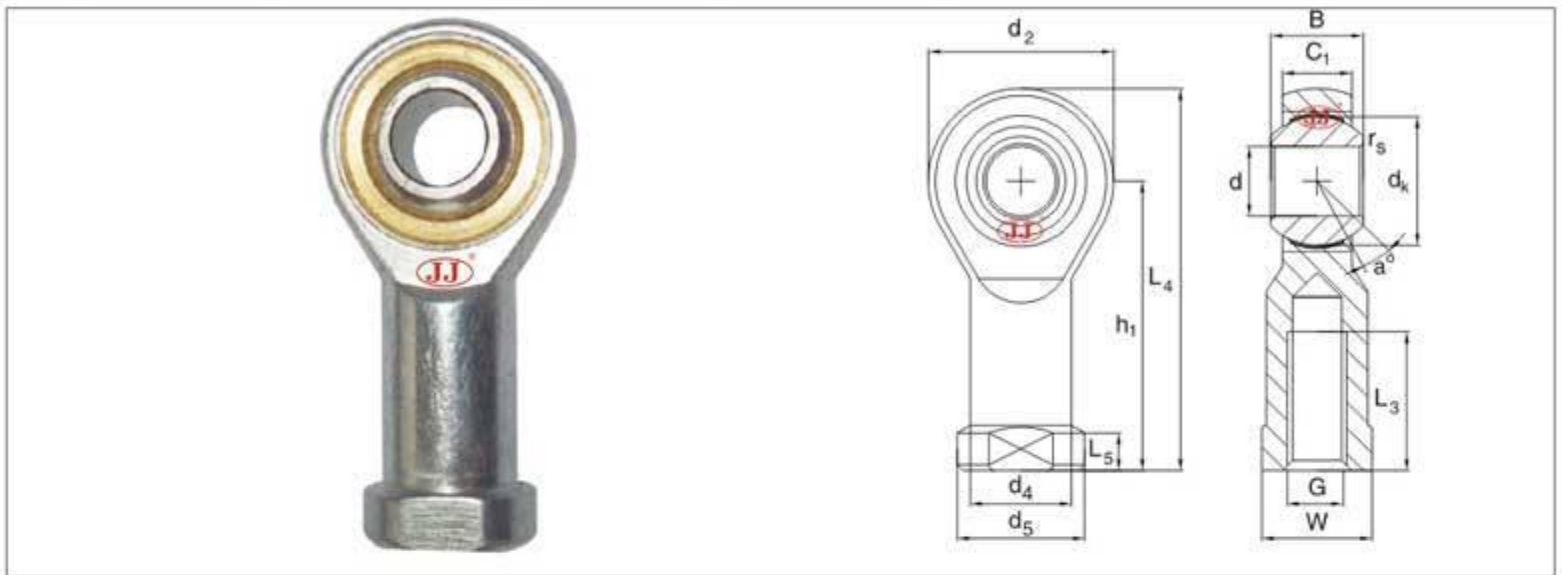


Rod ends 自润滑组装型杆端关节轴承 [Http://www.jjbearings.cn](http://www.jjbearings.cn)


名称	尺寸 Dimensions mm													转动 扭力	负荷 kN		径向游隙	重量	库存		
型号 Bearing number	d 公差 H7	B _{±0.02}	dk	C ₁	d ₂ max max	G 6H	h ₁	L ₃ min	L ₄ max	L ₅	W	d ₄	d ₅	r _s min	a°	Rotational torque Nm max	动 Load ratings kN/ Dynamic	静 Load ratings kN/ Static	Radial clearance mm	Weight ≈kg	
SI5T/K	5	8	11.112	6	18	M5	27	10	36	4	9	9	12	0.3	13	0.2	5.7	6.0	0~0.032	0.016	✓
SI5T/K-1						M4															
SI6T/K	6	9	12.7	6.75	20	M6	30	12	40	5	11	10	13	0.3	13	0.25	7.2	7.65	0~0.032	0.022	✓
SI8T/K	8	12	15.88	9	24	M8	36	16	48	5	14	12.5	16	0.3	14	0.3	11.6	12.9	0~0.032	0.047	✓
SI10T/K						M10															
SI10T/K-1	10	14	19.05	10.5	28	M10×1.25	43	20	57	6.5	17	15	19	0.6	13	0.4	14.5	18	0~0.032	0.077	✓
SI12T/K						M12															
SI12T/K-1	12	16	22.23	12	32	M12×1.25	50	22	66	6.5	19	17.5	22	0.6	13	0.5	17	24	0~0.032	0.100	✓
SI14T/K						M14															
SI14T/K-1	14	19	25.4	13.5	36	M14×1.5	57	25	75	8	22	20	25	0.6	16	0.6	24	31	0~0.04	0.160	✓
SI16T/K						M16															
SI16T/K-1	16	21	28.58	15	42	M16×1.5	64	28	85	8	24	22	27	0.6	15	0.7	28.5	39	0~0.04	0.220	✓
SI18T/K						M18×1.5															
SI18T/K	18	23	31.75	16.5	44	M18×1.5	71	32	93	10	27	25	31	0.6	15	0.8	42.5	47.5	0~0.04	0.320	✓
SI20T/K						M20×1.5															
SI20T/K	20	25	34.93	18	50	M20×1.5	77	33	102	10	30	27.5	34	0.6	14	1.0	42.5	57	0~0.04	0.420	✓
SI22T/K						M22×1.5															
SI22T/K	22	28	38.1	20	54	M22×1.5	84	37	111	12	32	30	37	0.6	15	1.2	57	68	0~0.05	0.540	✓
SI25T/K						M24×2															
SI25T/K	25	31	42.86	22	60	M24×2	94	42	124	12	36	33.5	42	0.6	15	1.2	68	85	0~0.05	0.720	✓
SI28T/K						M27×2															
SI28T/K	28	35	47.63	24	66	M27×2	103	48	136	12	41	37	46	0.6	15	1.2	86	107	0~0.05	0.820	✓
SI30T/K						M30×2															
SI30T/K	30	37	50.8	25	70	M30×2	110	51	145	14	41	40	50	0.6	17	1.2	88	114	0~0.05	1.100	✓
SI30T/K-1						M27×2															
SI35T/K						M36×2															
SI35T/K	35	43	57.1	28	81	M36×2	125	56	165.5	17	50	46	58	0.6	16	1.2	101	206	0~0.05	1.600	✓
SI40T/K						M42×2															
SI40T/K	40	49	66.6	33	91	M42×2	142	60	187.5	19	55	53	65	1	17	1.2	124	286	0~0.05	2.400	✓
SI50T/K						M48×2															
SI50T/K	50	60	82.5	45	117	M48×2	160	65	218.5	23	65	65	75	1	12	1.2	308	485	0~0.05	5.000	○

Dimensions in mm

Note: For left-hand thread, Please add suffix "L", e. g. SI120T/K

Sliding contact surfaces: Steel/PTFE composite material

Design and application features:

Rod end of steel and zinc coated, with male or female thread, outer ring of bronze, with sliding surface of PTFE composite material, maintenance-free; inner ring of carbon chromium steel, spherical surface with chromium plating. It has characteristics of large load capability, easy mounting and dismounting and mechanism simplification.

标“✓”标识的产品一到五天交货 标“○”标识的产品十到四十天交货 Marked“✓” identifies the product 1-5 days delivery Marked“○” logo products 10-40 days for delivery