

Ležajna jedinica ARMOR

Bearing Unit ARMOR



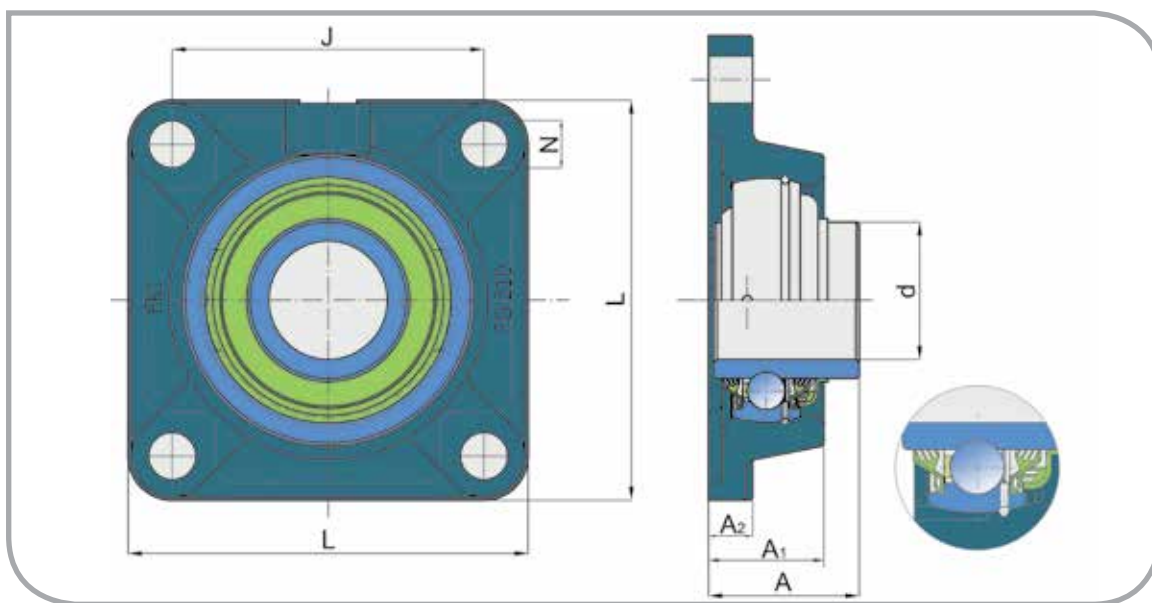
LEFG 210 TDT



UPOREDNE OZNAKE COMPARATIVE DESIGNATION

| | |
|-----|--------------|
| FKL | LEFG 210 TDT |
| FAG | UCF 210 |

Univerzalna rešenja
Universal Solutions



| Oznaka/Designation | d | Osnovne mere/Dimensions (mm) | | | | | Masa/Mass kg | |
|--------------------|----|------------------------------|----------------|-----|-----|----|--------------|------|
| | | A ₁ | A ₂ | J | L | N | | |
| LEFG 206 TDT | 30 | 31 | 13 | 83 | 108 | 16 | 40,2 | 1,20 |
| LEFG 207 TDT | 35 | 34 | 13 | 92 | 118 | 14 | 44,4 | 1,45 |
| LEFG 208 TDT | 40 | 36 | 14 | 102 | 130 | 16 | 51,2 | 1,95 |
| LEFG 209 TDT | 45 | 38 | 16 | 105 | 137 | 16 | 52,2 | 2,41 |
| LEFG 210 TDT | 50 | 40 | 16 | 111 | 143 | 16 | 54,6 | 2,78 |
| LEFG 212 TDT | 60 | 48 | 19 | 143 | 175 | 19 | 68,5 | 4,64 |
| LEFG 214 TDT | 70 | 50,3 | 21,3 | 152 | 193 | 19 | 70,7 | 6,20 |

Poljoprivredne mašine
Agricultural Machinery

Specifičnosti/Specificity

Materijal kućišta: nodularni liv/Housing material: ductile iron
Zaptivanje: dupla trossna zaptivka/Sealing: double triple lip

Potencijalno mesto ugradnje i primena:
Typical Applications: