



Bearing Unit

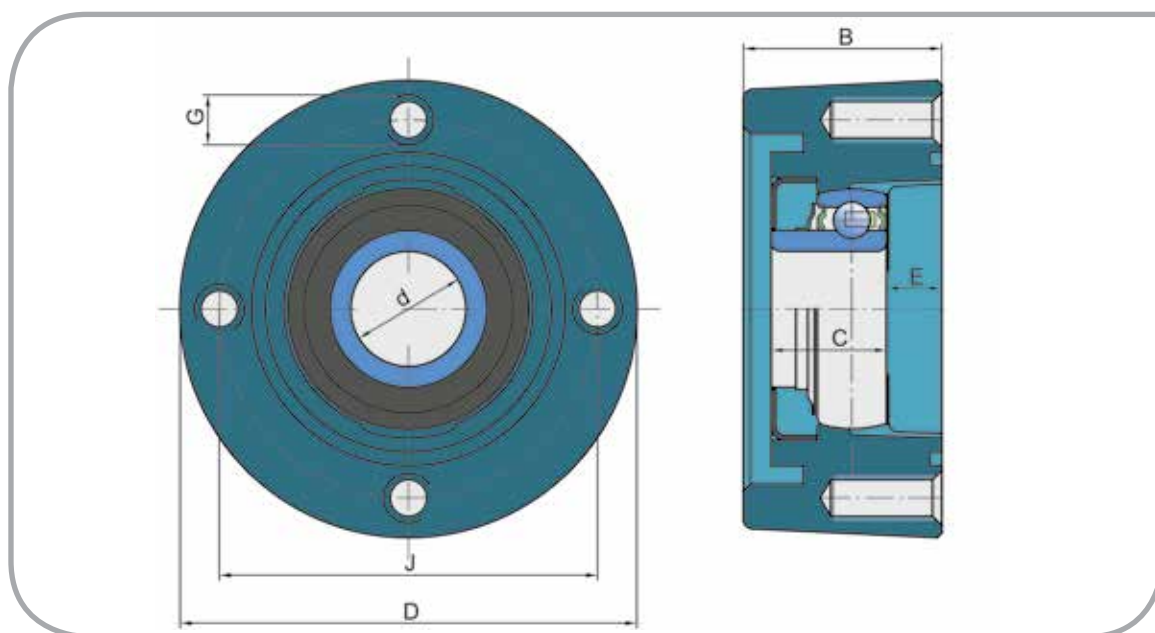
Ležajna jedinica

LSGR 205 FS

COMPARATIVE DESIGNATION

UPOREDNE OZNAKE

FKL	LSGR 205 FS
INA	F-239975-0200 RCJT 25x400x43 GGG
LEMKEN	3199371



Dimensions/Osnovne mere (mm)

d	D	J	B	E	C	G	kg
25	99	82	43	12	25	10	1,55

Typical Applications:

Potencijalno mesto ugradnje i primena:

Packer Roller
Cambridge valjak