



Bearing Unit

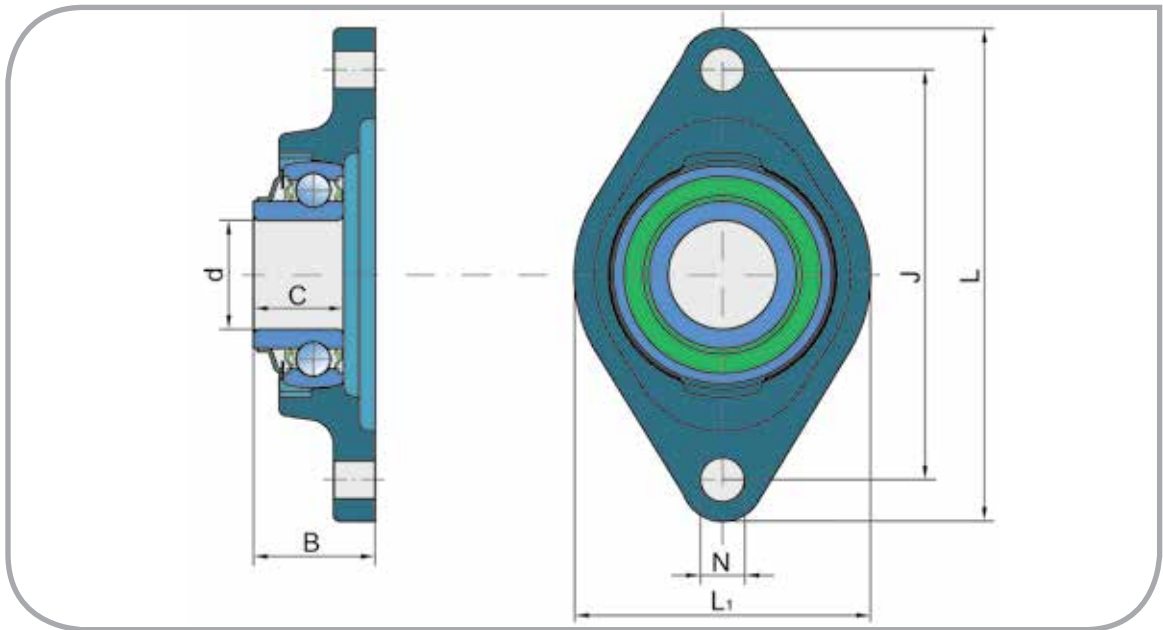
Ležajna jedinica

LSNR 207 TBS

COMPARATIVE DESIGNATION

UPOREDNE OZNAKE

FKL	LSNR 207 TBS
LEMKEN	3199352



Dimensions/Osnovne mere (mm)

d	L	L ₁	J	B	C	N	kg
35	155	93	130	40	28,3	14	1,05

Typical Applications:

Potencijalno mesto ugradnje i primena:

Packer Roller
 Cambridge valjak