



Bearing Unit

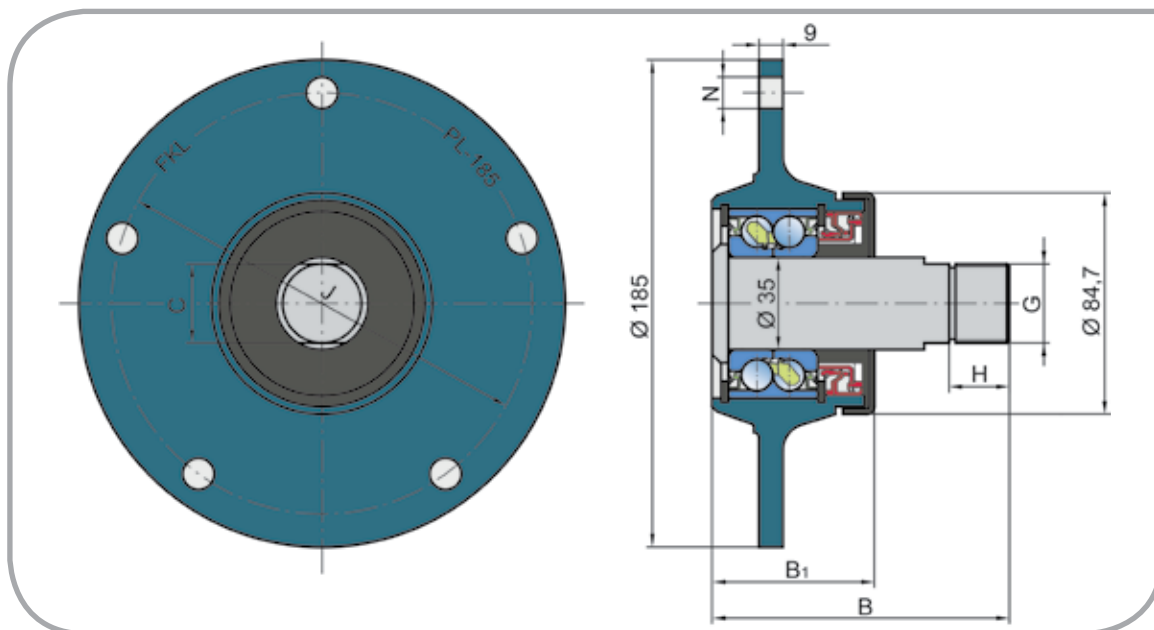
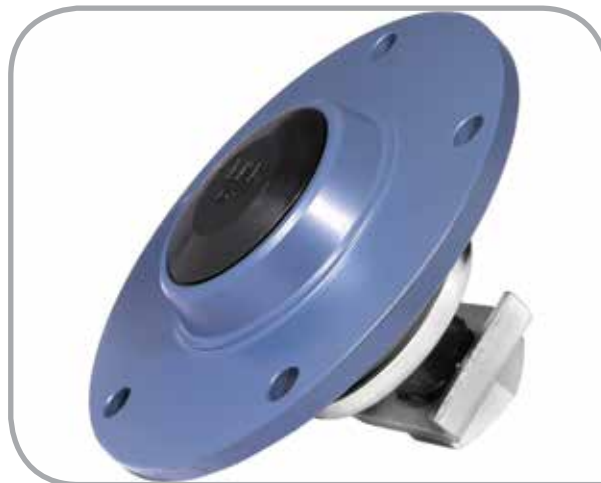
Ležajna jedinica

PL-185-M30-R (L)

COMPARATIVE DESIGNATION

UPOREDNE OZNAKE

FKL	PL-185-M30-R (L)
LEMKEN	5554502 (5554503) 55510014 (55510015)



Dimensions/Osnovne mere (mm)

Designation/Oznaka	C	J	N	B	B ₁	H	G	kg
PL-185-M30-R	30	160	12	113	61,6	23	M30x1,5	3,92
PL-185-M30-L	30	160	12	113	61,6	23	M30x1,5-L	3,92

Part/Deo	FKL designation/ FKL oznaka	Comparative designations/ Uporedne oznake	Proizvođač/ Producer
Nut/Navrtka	M 30x1,5 DIN 439 ZN6.PS.CB M 30x1,5-LH DIN 439 ZN6.PS.CB	3030994 3030995	LEMKEN
Cap/Poklopac	PL-185/4	32310065	LEMKEN
Washer/Podloška	PL-185/9	3051327	LEMKEN
Dirtblock seal/Zaptivka	ST16 45-70-14/17	3238301	LEMKEN

Typical Applications:

Potencijalno mesto ugradnje i primena:

Disc Harrows
Tanjirače