

LIGHT WEIGHT OVAL FLANGE BALL BEARING UNITS

SALF2 SBLF2

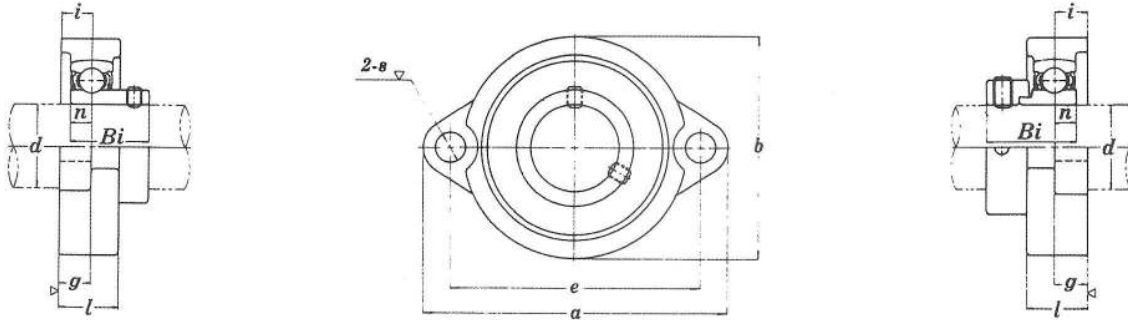
(NORMAL DUTY)



L TYPE SEAL

SBLF2(SET SCREW LOCKING)

SALF2(WITH ECCENTRIC LOCKING COLLAR)



Unit NO.	Shaft Dia.		Dimensions (in.) (mm)								Bolt Used (in.)	S A L F					S B L P				Housing NO
	d (in.)	d (mm)	a	e	i	g	l	s	b	n		Z	BI	K	Bearing No.	Weight (kgf)	Z	BI	Bearing No.	Weight (kgf)	
SALF 201		12												SA 201				SB 201			
SBLF 201-8	1/2		3 ³ / ₁₆	2 ¹ / ₂	3/8	3/8	2 ³ / ₃₂	5/16	2 ¹ / ₁₆	0.2362	1/4	1/4	1.1260	1.1260	201-8		1	0.8661	201-8		
202		15	81	63.5	9.5	9.5	18.0	8	52	6.0		32.0	28.6	202	0.28	25.5	22	202	0.25	LF 203	
SALF 202-10	5/8													202-10				202-10			
SBLF 203		17												203				203			
SALF 204-12	3/4		3 ¹ / ₃₂	2 ¹³ / ₁₆	7/16	7/16	2 ⁵ / ₃₂	2 ⁵ / ₆₄	2 ¹³ / ₃₂	0.2756	5/16	1 ³ / ₈	1.2204	1.2598	SA 204-12	0.33	1 ⁵ / ₃₂	0.9843	SB 204-12	0.33	LF 204
SBLF 204		20	90	71.5	11	11	20.0	10	61	7.0		35	31	204		29.0	25	204			
SALF 205-14	7/8		3 ³ / ₄	2 ⁶³ / ₆₄	7/16	7/16	2 ⁵ / ₃₂	2 ⁵ / ₆₄	2 ¹⁷ / ₃₂	0.2953	5/16	1 ¹¹ / ₃₂	1.2204	1.5000	SA 205-14		1 ³ / ₁₆	1.0630	SB 205-14		LF 205
SBLF 205		25	95	76.0	11	11	20.0	10	64	7.5		34.5	31	205	0.42	30.5	27	205	0.38		
SALF 205-16	1													205-16				205-16			
SALF 206-18	1 ¹ / ₈		4 ⁷ / ₁₆	3 ⁹ / ₁₆	1 ⁵ / ₃₂	1 ⁵ / ₃₂	7/8	1 ⁵ / ₃₂	3	0.3150	3/8	1 ⁹ / ₁₆	1.4055	1.7480	SA 206-18		1 ¹¹ / ₃₂	1.1811	SB 206-18		LF 206
SBLF 206		30	113	90.5	12	12	22.5	12	76	8.0		39.7	35.7	206	0.60	34.0	30	206	0.57		
SALF 206-19	1 ³ / ₁₆													206-19				206-19			
SBLF 206-20	1 ¹ / ₄													206-20				206-20			
SALF 207-20	1 ¹ / ₄		4 ¹³ / ₁₆	3 ¹⁵ / ₁₆	1/2	1/2	1 ⁵ / ₁₆	1 ⁵ / ₃₂	3 ¹ / ₂	0.3346	3/8	1 ¹¹ / ₁₆	1.5315	2.1890	SA 207-20		1 ⁷ / ₁₆	1.2598	SB 207-20		LF 207
SBLF 207		35	122	100.0	13	13	24.0	12.0	89	8.5		43.4	38.9	207	0.85	36.5	32	207	0.77		
SALF 207-22	1 ³ / ₈													207-22				207-22			
SBLF 207														207				207			
SALF 207-23	1 ⁷ / ₁₆													207-23				207-23			