

CARTRIDGE BALL BEARING UNITS

UCC2

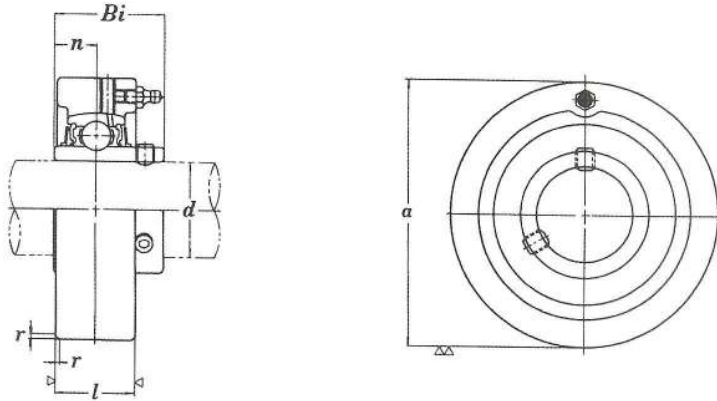
(NORMAL DUTY)



SL TYPE SEAL



L3 TYPE SEAL



Unit No.	Shaft Dia.		Dimensions (in./mm)				Bearing No.	Housing No.	Weight (kgf)
	d		o	l	Bi	n			
	(in.)	(mm)							
UCC 201 201-8 202 202-10 203 204-12 204	1/2 5/8 3/4	12 15 17 20	2.8346 72	25/32 20	1.2205 31.0	0.5000 12.7	UC 201 201-8 202 202-10 203 204-12 204	C 204	0.52 0.50 0.49 0.47
UCC 205-14 205-15 205 205-16	7/8 15/16 1	25	3.1496 80	55/64 22	1.3425 34.1	0.5630 14.3	UC 205-14 205-15 205 205-16	C 205	0.64
UCC 206-18 206 206-19	1 1/8 1 3/16	30	3.3465 85	1 1/16 27	1.5000 38.1	0.6260 15.9	UC 206-18 206 206-19	C 206	0.81
UCC 207-20 207-21 207-22 207 207-23	1 1/4 1 5/16 1 3/8 1 7/16	35	3.5433 90	1 7/64 28	1.6890 42.9	0.6890 17.5	UC 207-20 207-21 207-22 207 207-23	C 207	0.93
UCC 208-24 208-25 208	1 1/2 1 9/16	40	3.9370 100	1 3/16 30	1.9370 49.2	0.7480 19.0	UC 208-24 208-25 208	C 208	1.2
UCC 209-26 209-27 209-28 209	1 5/8 1 11/16 1 3/4	45	4.3307 110	1 7/32 31	1.9370 49.2	0.7480 19.0	UC 209-26 209-27 209-28 209	C 209	1.5
UCC 210-30 210-31 210 210-32	1 7/8 1 15/16 2	50	4.7244 120	1 9/64 33	2.0315 51.6	0.7480 19.0	UC 210-30 210-31 210 210-32	C 210	2.0
UCC 211-32 211-34 211 211-35	2 2 1/8 2 3/16	55	4.9213 125	1 3/8 35	2.1890 55.6	0.8740 22.2	UC 211-32 211-34 211 211-35	C 211	2.2
UCC 212-36 212 212-38 212-39	2 1/4 2 3/8 2 7/16	60	5.1181 130	1 1/2 38	2.5630 65.1	1.0000 25.4	UC 212-36 212 212-38 212-39	C 212	2.6
UCC 213-40 213	2 1/2	65	5.5118 140	1 37/64 40	2.5630 65.1	1.0000 25.4	UC 213-40 213	C 213	3.0