

SQUARE FLANGE BALL BEARING UNITS

UCF2
(NORMAL DUTY)

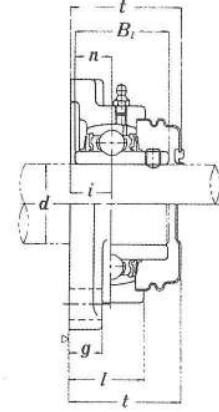
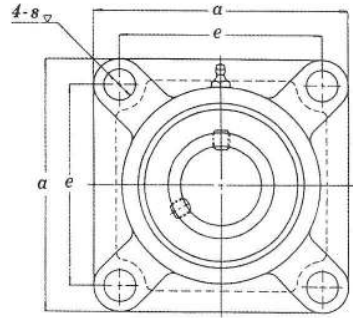
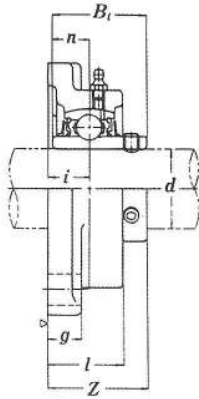


SL TYPE SEAL



L3 TYPE SEAL

DOUBLE PROTECTION METHOD (STAMPED STEEL COVER)
UCF2-C...WITH OPEN COVER
UCF2-D...WITH CLOSED COVER



Unit No.	Shaft Dia.		Dimensions (in./mm)									Bolt Used		Bearing No.	Housing No.	Weight (kgf)	
	d		a	e	i	g	l	s	Z	t	Bi	n	(mm)				(in.)
	(in.)	(mm)															
UCF 201-8	1/2	12													UC 201-8 202 202-10 203 204-12 204	F 204	0.64 0.62 0.61 0.59
202	5/8	15	3 3/8	2 33/64	19/32	7/16	1	15/32	15/16	115/32	1.2205	0.5000	10	3/8			
202-10			86	64	15	11	25.5	12	33.3	37.0	31.0	12.7					
203	3/4	17															
204-12																	
204		20															
UCF 205-14	7/8		3 3/4	2 3/4	5/8	1/2	1 1/16	15/32	1 13/32	1 9/16	1.3425	0.5630	10	3/8	UC 205-14 205-15 205 205-16	F 205	0.83
205-15	15/16		95	70	16	13	27	12	35.7	40	34.1	14.3					
205		25															
205-16	1																
UCF 206-18	1 1/8		4 1/4	3 17/64	45/64	1/2	1 7/32	15/32	1 19/32	1 23/32	1.5000	0.6260	10	3/8			
206		30	108	83	18	13	31	12	40.2	44.0	38.1	15.9					
206-19	1 3/16																
UCF 207-20	1 1/4														UC 207-20 207-21 207-22 207 207-23	F 207	1.5
207-21	1 5/16		4 19/32	3 5/8	3/4	19/32	1 11/32	35/64	1 3/4	1 15/16	1.6890	0.6890	12	7/16			
207-22	1 3/8		117	92	19	15	34	14	44.4	49	42.9	17.5					
207		35															
207-23	1 7/16																
UCF 208-24	1 1/2		5 1/8	4 1/64	53/64	19/32	1 11/32	5/8	2 1/32	2 5/32	1.9370	0.7480	14	1/2	UC 208-24 208-25 208	F 208	1.9
208-25	1 9/16		130	102	21	15	36	16	51.2	55.0	49.2	19.0					
208		40															
UCF 209-26	1 5/8														UC 209-26 209-27 209-28 209	F 209	2.2
209-27	1 11/16		5 13/32	4 9/64	55/64	5/8	1 1/2	5/8	2 1/16	2 7/32	1.9370	0.7480	14	1/2			
209-28	1 3/4		137	105	22	16	38	16	52.2	56.0	49.2	19.0					
209		45															
UCF 210-30	1 7/8		5 5/8	4 3/8	55/64	5/8	1 9/16	5/8	2 5/32	2 5/16	2.0315	0.7480	14	1/2			
210-31	1 15/16		143	111	22	16	40	16	54.6	59	51.6	19.0					
210		50															
210-32	2																
UCF 211-32	2		6 3/8	5 1/8	63/64	23/32	1 11/16	3/4	2 5/16	2 15/32	2.1890	0.8740	16	5/8	UC 211-32 211-34 211 211-35	F 211	3.4
211-34	2 1/8		162	130	25	18	43	19	58.4	63	55.6	22.2					
211		55															
211-35	2 3/16																
UCF 212-36	2 1/4														UC 212-36 212 212-38 212-39	F 212	4.2
212		60	6 7/8	5 5/8	1 9/64	23/32	1 7/8	3/4	2 23/32	2 7/8	2.5630	1.0000	16	5/8			
212-38	2 3/8		175	143	29	18	48	19	68.7	73.0	65.1	25.4					
212-39	2 7/16																
UCF 213-40	2 1/2		7 3/8	5 55/64	1 3/16	7/8	1 31/32	3/4	2 3/4	2 29/32	2.5630	1.0000	16	5/8	UC 213-40 213	F 213	5.2
213		65	187	149	30	22	50	19	69.7	74	65.1	25.4					
UCF 214-44	2 3/4														UC 214-44 214	F 214	5.9
214		70	7 19/32	5 63/64	1 7/32	7/8	2 1/8	3/4	2 31/32	3 5/32	2.9370	1.1890	16	5/8			
UCF 215		75	7 7/8	6 17/64	1 11/32	7/8	2 7/32	3/4	3 3/32	3 9/32	3.0630	1.3110	16	5/8	UC 215 215-48	F 215	6.4
215-48	3		200	159	34	22	56	19	78.5	83.0	77.8	33.3					
UCF 216		80	8 3/16	6 1/2	1 11/32	7/8	2 9/32	29/32	3 9/32	3 15/32	3.2520	1.3110	20	3/4	UC 216	F 216	7.3
UCF 217-52	3 1/4		8 21/32	6 57/64	1 27/64	15/16	2 15/32	29/32	3 7/16	3 5/8	3.3740	1.3425	20	3/4	UC 217-52 217	F 217	8.9
217		85	220	175	36	24	63	23	87.6	92.0	85.7	34.1					
UCF 218-56	3 1/2		9 1/4	7 23/64	1 37/64	1	2 11/16	29/32	3 25/32	3 31/32	3.7795	1.5630	20	3/4	UC 218-56 218	F 218	11.4
218		90	235	187	40	25	68	23	96.3	101.0	96.0	39.7					