

FLANGE CARTRIDGE BALL BEARING UNITS

UCFC2

(NORMAL DUTY)



SL TYPE SEAL

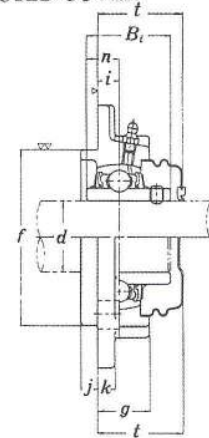
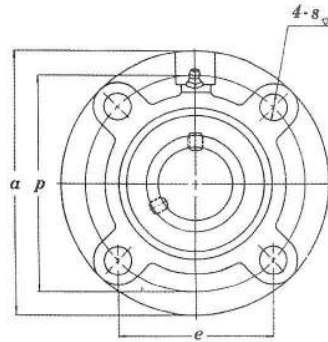
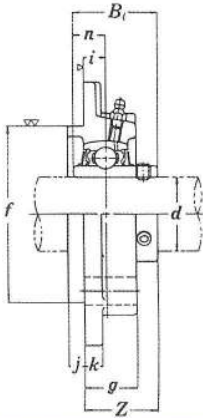


L3 TYPE SEAL

DOUBLE PROTECTION METHOD (STAMPED STEEL COVER)

UCFC2-C... WITH OPEN COVER

UCFC2-D... WITH CLOSED COVER



Unit No.	Shaft Dia.		Dimensions (in.) (mm)													Bolt Used		Bearing No.	Housing No.	Weight (kgf)
	d		a	p	e	i	s	j	k	g	f	Z	t	Bi	n	(mm)	(in.)			
	(in.)	(mm)																		
UCFC 201-8	1/2	12																UC 201-8		
202	5/8	15	3 ¹⁵ / ₁₆	3 ⁵ / ₈	2 ¹¹ / ₁₆	2 ⁵ / ₁₆	1 ⁵ / ₃₂	1 ³ / ₁₆	9 ¹ / ₃₂	1 ³ / ₁₆	2.4409	1 ¹ / ₈	1 ¹ / ₄	1.2205	0.5000	10	3/8	FC 204	0.78	
202-10	3/4	17																202-10		
203	3/4	17																203		
204-12	3/4	20																204-12		
204	3/4	20																204		
UCFC 205-14	7/8	25	4 ¹⁷ / ₃₂	3 ³⁵ / ₆₄	2 ¹ / ₂	2 ⁵ / ₁₆	1 ⁵ / ₃₂	1 ⁵ / ₁₆	9 ¹ / ₃₂	1 ³ / ₁₆	2.7559	1 ⁵ / ₃₂	1 ¹¹ / ₃₂	1.3425	0.5630	10	3/8	UC 205-14		
205-15	15/16	25																205-15		
205	1	25																205		
205-16	1	25																205-16		
UCFC 206-18	1 1/8	30	4 ²⁹ / ₃₂	3 ¹⁵ / ₁₆	2 ²⁵ / ₃₂	2 ⁵ / ₁₆	1 ⁵ / ₃₂	5 ¹ / ₁₆	5 ¹ / ₁₆	2 ⁹ / ₃₂	3.1496	1 ⁹ / ₃₂	1 ¹³ / ₃₂	1.5000	0.6260	10	3/8	UC 206-18		
206	1 1/8	30																206		
206-19	1 1/8	30																206-19		
UCFC 207-20	1 1/4	35	5 ⁵ / ₁₆	4 ²¹ / ₆₄	3 ¹ / ₁₆	7 ¹ / ₁₆	3 ⁵ / ₆₄	5 ¹ / ₁₆	1 ¹¹ / ₃₂	1 ¹ / ₃₂	3.5433	1 ⁷ / ₁₆	1 ⁵ / ₈	1.6890	0.6890	12	7/16	UC 207-20		
207-21	1 1/4	35																207-21		
207-22	1 1/4	35																207-22		
207	1 1/4	35																207		
207-23	1 1/4	35																207-23		
UCFC 208-24	1 1/2	40	5 ²³ / ₃₂	4 ²³ / ₃₂	3 ¹¹ / ₃₂	7 ¹ / ₁₆	3 ⁵ / ₆₄	2 ⁵ / ₁₆	1 ¹¹ / ₃₂	1 ¹ / ₃₂	3.9370	1 ⁵ / ₈	1 ²⁵ / ₃₂	1.9370	0.7480	12	7/16	UC 208-24		
208-25	1 1/2	40																208-25		
208	1 1/2	40																208		
UCFC 209-26	1 5/8	45	6 ⁵ / ₁₆	5 ¹⁵ / ₆₄	3 ⁴³ / ₆₄	2 ⁵ / ₁₆	3 ¹ / ₈	1 ⁵ / ₃₂	9 ¹ / ₁₆	1 ¹ / ₃₂	4.1339	1 ¹⁰ / ₃₂	1 ²³ / ₃₂	1.9370	0.7480	14	1/2	UC 209-26		
209-27	1 5/8	45																209-27		
209-28	1 5/8	45																209-28		
209	1 5/8	45																209		
UCFC 210-30	1 7/8	50	6 ¹ / ₂	5 ⁷ / ₁₆	3 ²⁷ / ₃₂	2 ⁵ / ₁₆	3 ¹ / ₈	1 ⁵ / ₃₂	9 ¹ / ₁₆	1 ¹ / ₃₂	4.3307	1 ¹¹ / ₁₆	1 ²⁷ / ₃₂	2.0315	0.7480	14	1/2	UC 210-30		
210-31	1 7/8	50																210-31		
210	1 7/8	50																210		
UCFC 211-32	2	55	7 ⁹ / ₃₂	5 ²⁹ / ₃₂	4 ¹¹ / ₆₄	3 ³ / ₁₆	3 ¹ / ₄	1 ⁵ / ₃₂	1 ⁹ / ₃₂	1 ¹ / ₃₂	4.9213	1 ¹³ / ₁₆	2	1.1890	0.8740	16	5/8	UC 211-32		
211-34	2	55																211-34		
211	2	55																211		
211-35	2	55																211-35		
UCFC 212-36	2 1/4	60	7 ¹¹ / ₁₆	6 ¹⁹ / ₆₄	4 ²⁹ / ₆₄	4 ³ / ₁₆	3 ¹ / ₄	1 ⁵ / ₃₂	1 ⁹ / ₃₂	1 ¹³ / ₃₂	5.3150	2 ⁷ / ₃₂	2 ¹³ / ₃₂	2.5630	1.0000	16	5/8	UC 212-36		
212	2 1/4	60																212		
212-38	2 3/8	60																212-38		
212-39	2 3/8	60																212-39		
UCFC 213-40	2 1/2	65	8 ¹ / ₁₆	6 ¹¹ / ₁₆	4 ⁴⁷ / ₆₄	5 ¹ / ₈	3 ¹ / ₄	3 ⁵ / ₆₄	1 ⁹ / ₃₂	1 ²⁷ / ₆₄	5.7087	2 ⁷ / ₁₆	2 ⁵ / ₈	2.5630	1.0000	16	5/8	UC 213-40		
213	2 1/2	65																213		
UCFC 214-44	2 3/4	70	8 ¹⁵ / ₃₂	6 ³¹ / ₃₂	4 ⁵⁹ / ₆₄	4 ³ / ₁₆	3 ¹ / ₄	3 ⁵ / ₆₄	2 ³ / ₃₂	1 ⁹ / ₁₆	5.9055	2 ¹³ / ₃₂	2 ¹⁹ / ₃₂	2.9370	1.1890	16	5/8	UC 214-44		
214	2 3/4	70																214		
UCFC 215	3	75	8 ²¹ / ₃₂	7 ¹ / ₄	5 ¹ / ₈	4 ⁵ / ₁₆	3 ¹ / ₄	3 ¹ / ₈	2 ³ / ₃₂	1 ⁹ / ₁₆	6.2992	2 ¹⁵ / ₃₂	2 ⁵ / ₈	3.0630	1.3110	16	5/8	UC 215		
215-48	3	75																215-48		
UCFC 216	3 1/4	80	9 ⁷ / ₁₆	7 ⁷ / ₈	5 ⁷ / ₁₆	4 ⁵ / ₁₆	2 ⁹ / ₃₂	3 ¹ / ₈	2 ³ / ₃₂	1 ²¹ / ₃₂	6.6929	2 ²¹ / ₃₂	2 ²⁷ / ₃₂	3.2520	1.3110	20	3/4	UC 216		
UCFC 217-52	3 1/4	85	9 ²⁷ / ₃₂	8 ²¹ / ₁₆	5 ³¹ / ₆₄	4 ⁵ / ₁₆	2 ⁹ / ₃₂	4 ⁵ / ₆₄	2 ⁵ / ₃₂	1 ²⁵ / ₃₂	7.0866	2 ⁵ / ₄	2 ²⁹ / ₃₂	3.3740	1.3425	20	3/4	UC 217-52		
217	3 1/4	85																217		
UCFC 218-56	3 1/2	90	10 ⁷ / ₁₆	8 ²¹ / ₃₂	6 ¹ / ₈	5 ⁵ / ₆₄	2 ⁹ / ₃₂	4 ⁵ / ₆₄	2 ⁵ / ₃₂	1 ³¹ / ₃₂	7.4803	3 ³ / ₃₂	3 ⁹ / ₃₂	3.7795	1.5630	20	3/4	UC 218-56		
218	3 1/2	90																218		