

ONE SIDE BRACKET FLANGE BALL BEARING UNITS

UCFB2

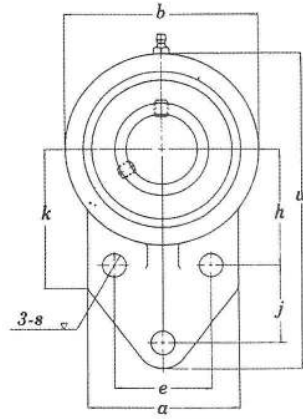
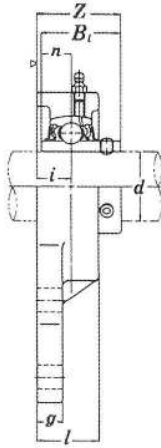
NORMAL DUTY



SL TYPE SEAL



L3 TYPE SEAL



Unit No.	Shaft Dia.		Dimensions (in./mm)													Bolt Used		Bearing No.	Housing No.	Weight (kgf)		
	d (in.)	d (mm)	w	b	k	a	l	s	g	h	j	e	i	Z	Bi	n	(mm)				(in)	
UCFB 201 201-8 202 202-10 203 204-12 204	1/2	12																		UC 201-8 202 202-10 203 204-12 204	FB 204	0.64 0.62 0.61 0.59
		15	4 ^{11/32}	2 ^{7/16}	2 ^{1/16}	2 ^{1/16}	1 ^{5/16}	3/8	1/2	1 ^{21/32}	1 ^{1/16}	1 ^{17/64}	1 ^{7/32}	1 ^{1/4}	1.2205	0.5000	8	5/16				
	5/8	17	110	62	52	52	24	9.5	13	42	27	32	13.5	31.8	31.0	12.7						
		20																				
UCFB 205-14 205-15 205 205-16	7/8																			UC 205-14 205-15 205 205-16	FB 205	0.68
	15/16	25	4 ^{9/16}	2 ^{11/16}	2 ^{1/16}	2 ^{7/32}	1 ^{1/32}	3/8	1/2	1 ^{49/64}	1 ^{1/16}	1 ^{11/32}	1 ^{9/32}	1 ^{3/8}	1.3425	0.5630	8	5/16				
	1		116	68	52	56	26	9.5	13	45	27	34	15	34.7	34.1	14.3						
UCFB 206-18 206 206-19	1 ^{1/8}																			UC 206-18 206 206-19	FB 206	0.92
	1 ^{3/16}	30	5 ^{1/8}	3 ^{1/16}	2 ^{5/32}	2 ^{9/16}	1 ^{5/32}	3/8	1/2	1 ^{31/32}	1 ^{9/64}	1 ^{37/64}	4 ^{3/64}	1 ^{17/32}	1.5000	0.6260	8	5/16				
UCFB 207-20 207-21 207-22 207 207-23	1 ^{1/4}																			UC 207-20 207-21 207-22 207 207-23	FB 207	1.3
	1 ^{5/16}		5 ^{21/32}	3 ^{17/32}	2 ^{7/16}	2 ^{3/4}	1 ^{5/16}	3/8	1 ^{9/32}	2 ^{11/64}	1 ^{17/64}	1 ^{13/16}	3/4	1 ^{3/4}	1.6890	1.6890	8	5/16				
	1 ^{3/8}	35	144	90	62	70	33	9.5	15	55	32	46	19	44.4	42.9	17.5						
UCFB 208-24 208-25 208	1 ^{1/2}																			UC 208-24 208-25 208	FB 208	1.8
	1 ^{9/16}	40	6 ^{15/32}	3 ^{15/16}	2 ^{27/32}	3 ^{1/16}	1 ^{11/32}	7/16	5/8	2 ^{23/64}	1 ^{39/64}	1 ^{31/32}	2 ^{5/32}	1 ^{31/32}	1.9370	0.7480	10	3/8				
UCFB 209-26 209-27 209-28 209	1 ^{5/8}																			UC 209-26 209-27 209-28 209	FB 209	2.0
	1 ^{11/16}		6 ^{27/32}	4 ^{3/16}	3	3 ^{5/32}	1 ^{11/32}	7/16	2 ^{3/32}	2 ^{9/16}	1 ^{11/16}	2 ^{1/8}	2 ^{5/32}	1 ^{31/32}	1.9370	0.7480	10	3/8				
	1 ^{3/4}	45	174	106	76	80	34	11.1	18	65	43	54	20	50.2	49.2	19.0						
UCFB 210-30 210-31 210 210-32	1 ^{7/8}																			UC 210-30 210-31 210 210-32	FB 210	2.3
	1 ^{15/16}		7 ^{1/4}	4 ^{13/32}	3 ^{7/32}	3 ^{3/8}	1 ^{3/8}	7/16	2 ^{3/32}	2 ^{43/64}	1 ^{13/16}	2 ^{9/32}	2 ^{5/32}	2 ^{1/16}	2.0315	0.7480	10	3/8				
	2	50	184	112	82	86	35	11.1	18	68	46	58	20	52.6	51.6	19.0						