

NARROW BASE PILLOW BLOCK BALL BEARING UNITS

UCPA2

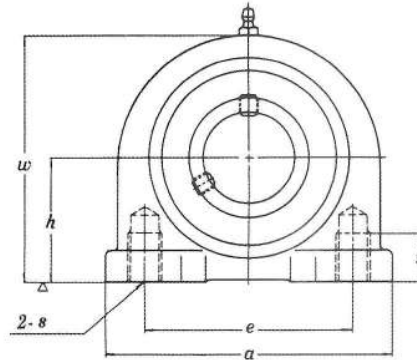
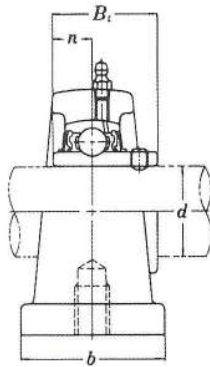
(NORMAL DUTY)



SL TYPE SEAL,



L3 TYPE SEAL



Unit No.	Shaft Dia.		Dimensions (in./mm)									Bolt Used (mm)	Bearing No.	Housing No.	Weight (kgf)	
	d		h	a	e	b	s(mm)	w	g	Bi	n					
	(in.)	(mm)														
UCPA 201-8	1/2	12											10	UC 201-8 202-10 203-204-12 204	PA 204	0.64
202	5/8	15	13/16	3	23/64	19/16	10	27/16	1/2	1,2205	0.5000	0.62				
203		17	30.2	76	52	40		62	13	31.0	12.7	0.61				
204-12	3/4	20										0.59				
204																
UCPA 205-14	7/8												10	UC 205-14 205-15 205-205-16	PA 205	0.83
205-15	15/16	25	17/16	35/16	213/64	125/32	10	227/32	1/2	1,3425	0.5630	0.83				
205			36.5	84	56	45		72	13	34.1	14.3					
205-16	1															
UCPA 206-18	1 1/8												14	UC 206-18 206-206-19	PA 206	1.2
206	1 1/8	30	1 11/16	3 11/16	2 19/32	1 21/32	14	3 5/16	23/32	1,5000	0,6260	1.2				
206-19	1 3/16		42.9	94	66	50		84	18	38.1	15.9					
UCPA 207-20	1 1/8												14	UC 207-20 207-21 207-22 207-207-23	PA 207	1.7
207-21	1 5/16	35	17/8	4 11/32	3 5/32	2 5/32	14	3 3/4	25/32	1,6890	0,6890	1.7				
207-22	1 3/8		47.6	110	80	55		95	20	42.9	17.5					
207																
207-23	1 7/16															
UCPA 208-24	1 1/2												14	UC 208-24 208-25 208	PA 208	2.0
208-25	1 9/16	40	1 15/16	4 9/16	3 5/16	2 9/32	14	3 15/16	25/32	1,9370	0,7480	2.0				
208			49.2	116	84	58		100	20	49.2	19.0					
UCPA 209-26	1 5/8												14	UC 209-26 209-27 209-28 209	PA 209	2.2
209-27	1 11/16	45	2 9/64	4 23/32	3 35/64	2 3/8	14	4 1/4	1	1,9370	0,7480	2.2				
209-28	1 3/4		54.2	120	90	60		108	25	49.2	19.0					
209																
UCPA 210-30	1 7/8												16	UC 210-30 210-31 210-210-32	PA 210	2.8
210-31	1 15/16	50	2 1/4	5 1/8	3 45/64	2 17/32	16	4 9/16	1	2,0315	0,7480	2.8				
210			57.2	130	94	64		116	25	51.6	19.0					
210-32	2															