

HIGH CENTER OF AXIS PILLOW BLOCK BALL BEARING UNITS

UCPH2

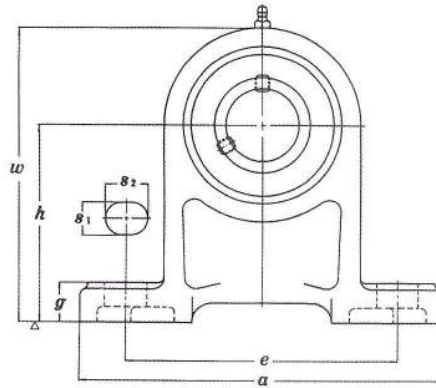
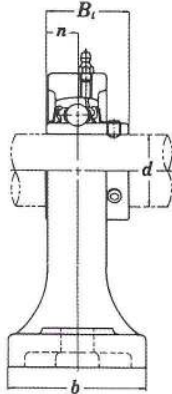
(NORMAL DUTY)



SL TYPE SEAL



L3 TYPE SEAL



Unit No.	Shaft Dia.		Dimensions (in./mm)										Bolt Used		Bearing No.	Housing No.	Weight (kgf)				
	d		h	a	e	b	s ₂	s ₁	g	w	Bi	n	(mm)	(in.)							
	(in.)	(mm)																			
UCPH 201-8	1/2	12																UC 201-8		0.96	
202	5/8	15	2 3/4	5	3 3/4	1 9/16	3/4	1/2	1 9/32	3 31/32	1.2205	0.5000	10	3/8				PH 204		0.94	
202-10			70	127	95	40	19	13	15	101	31.0	12.7								0.93	
203	3/4	17																			
204-12																					
204		20																			0.91
UCPH 205-14	7/8																				
205-15	15/16		3 5/32	5 1/2	4 1/8	1 31/32	3/4	1/2	5/8	4 1/2	1.3425	0.5630	10	3/8							
205		25	80	140	105	50	19	13	16	114	34.1	14.3									1.2
205-16	1																				
UCPH 206-18	1 1/8																				
206		30	3 35/64	6 1/2	4 3/4	1 31/32	13/16	21/32	23/32	5 1/8	1.5000	0.6260	14	1/2							
206-19	1 3/16		90	165	121	50	21	17	18	130	38.1	15.9									1.6
UCPH 207-20	1 1/4																				
207-21	1 5/16		3 47/64	6 9/16	5	2 3/8	13/16	21/32	23/32	5 1/2	1.6890	0.6890	14	1/2							
207-22	1 3/8		95	167	127	60	21	17	18	140	42.9	17.5									2.0
207		35																			
207-23	1 7/16																				
UCPH 208-24	1 1/2																				
208-25	1 9/16		3 15/16	7 1/4	5 13/32	2 3/4	13/16	21/32	25/32	5 29/32	1.9370	0.7480	14	1/2							
208		40	100	184	137	70	21	17	20	150	49.2	19.0									2.7
UCPH 209-26	1 5/8																				
209-27	1 11/16		4 9/64	7 15/32	5 3/4	2 3/4	13/16	21/32	25/32	6 7/32	1.9370	0.7480	14	1/2							
209-28	1 3/4		105	190	146	70	21	17	20	158	49.2	19.0									3.0
209		45																			
UCPH 210-30	1 7/8																				
210-31	1 15/16		4 21/64	8 1/8	6 1/4	2 3/4	7/8	25/32	7/8	6 1/2	2.0315	0.7480	16	5/8							
210		50	110	206	159	70	22	20	22	165	51.6	19.0									3.5
210-32	2																				