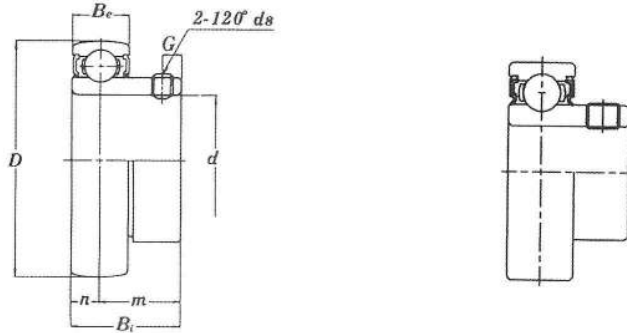


INSERT BALL BEARINGS

SB2 CSB2

(NORMAL DUTY)



Bearing No.	Bore Dia. of Bearing		Dimensions (in./mm)							Basic Load Rating (kgf)	Basic Static Road Rating (kgf)	Weight (kgf)
	d (in.)	d (mm)	Be	D	Bi	n	m	G	ds			
SB 201 CSB 201-8 202 202-10 203	1/2	12 15	0.4724 12	1.5748 40	0.8661 22	0.2362 6.0	0.6299 16.0	0.1890 4.8	M6 × 0.75 1/4-28UNF	960	480	0.10
SB 204-12 CSB 204	3/4	20	0.5512 14	1.8504 47	0.9843 25	0.2756 7.0	0.7087 18.0	0.1890 4.8	M6 × 0.75 1/4-28UNF	1280	670	0.15
SB 205-14 CSB 205 205-16	7/8	25	0.5906 15	2.0472 52	1.0630 27	0.2953 7.5	0.7677 19.5	0.2165 5.5	M6 × 0.75 1/4-28UNF	1400	790	0.16
SB 206-18 CSB 206 206-19	1 1/8	30	0.6299 16	2.4409 62	1.1811 30	0.3150 8.0	0.8661 22.0	0.2362 6	M6 × 0.75 1/4-28UNF	1950	1130	0.27
SB 207-20 CSB 207-22 207 207-23	1 1/4	35	0.6693 17	2.8346 72	1.2598 32	0.3346 8.5	0.9252 23.5	0.2560 6.5	M8 × 1.0 5/16-24UNF	2570	1540	0.35
SB 208-24 CSB 208	1 1/2	40	0.7087 18	3.1496 80	1.3386 34	0.3543 9.0	0.9843 25.0	0.3150 8	M8 × 1.0 5/16-24UNF	2910	1790	0.48
SB 209-26 CSB 209-27 209-28 209	1 5/8	45	0.7480 19	3.3465 85	1.6220 41.2	0.3740 9.5	1.2480 31.7	0.3150 8	M8 × 1.0 5/16-24UNF	3200	2040	0.56
SB 210-30 210-31 210 210-32	1 7/8	50	0.7874 20	3.5433 90	1.7126 43.5	0.3937 10	1.3189 33.5	0.3543 9	M10 × 1.25 3/8-24UNF	3510	2320	0.71
SB 211-32 211 211-34 211-35	2	55	0.8268 21	3.9370 100	1.7835 45.3	0.4134 10.5	1.3700 34.8	0.3543 9	M10 × 1.25 3/8-24UNF	4330	2940	0.96
SB 212-36 212 212-38 212-39	2 1/4	60	0.8661 22	4.3307 110	2.1142 53.7	0.4331 11	1.6811 42.7	0.4134 10.5	M10 × 1.25 3/8-24UNF	5240	3610	1.20