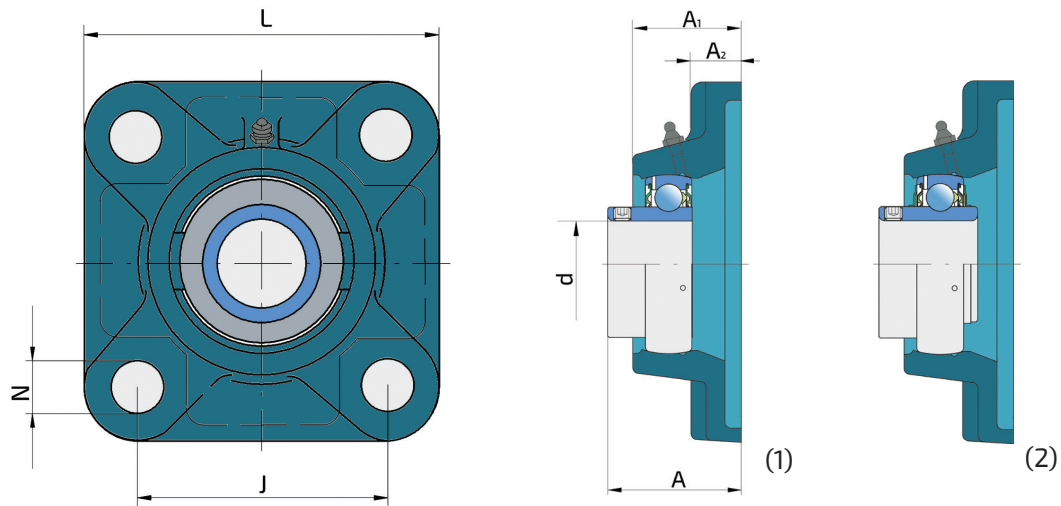


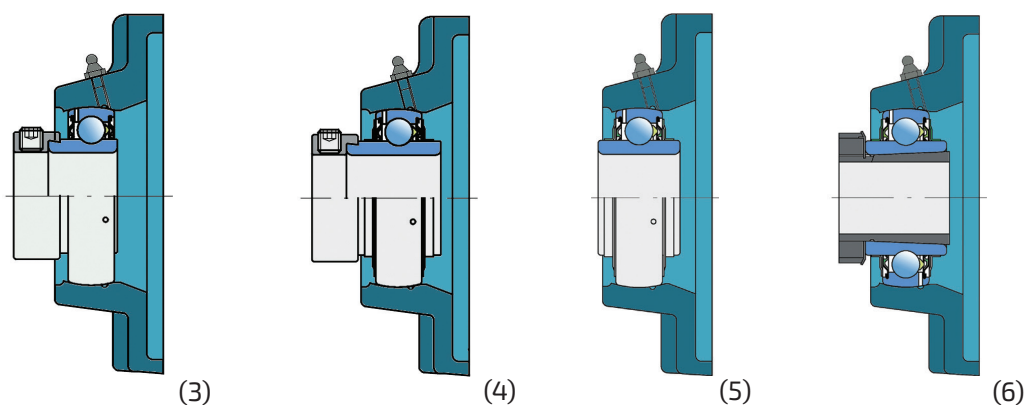
## 6.4. Y-Bearing Flanged Units with Square Grey Cast Iron Housing "F"

UEF...  
LEF...  
UYF...  
LYF...  
LSF...  
LKF...



Shaft	Dimensions (mm)						fig.	Mass	Designation
d	A	A <sub>1</sub>	A <sub>2</sub>	J	L	N		kg	
17	32.9	26	11	54	76	11.5	1	0.42	UEF 203 2S
	32.9						2	0.44	LEF 203 2F
	39.1						3	0.46	UYF 203 2S
	40.4						4	0.48	LYF 203 2F
20	33.3	25.5	11	64	86	12	1	0.52	UEF 204 2S
	33.3						2	0.54	LEF 204 2F
	38.5						3	0.56	UYF 204 2S
	41.6						4	0.59	LYF 204 2F
25	39	27	12	70	95	12	6	0.73	LKF 205 2F + H2305
	35.5						1	0.70	UEF 205 2S
	35.8						2	0.73	LEF 205 2F
	39.5						3	0.73	UYF 205 2S
	42.9						4	0.78	LYF 205 2F
	28						5	0.70	LSF 205 2F
30	40	31	13	83	108	12	6	1.05	LKF 206 2F + H2306
	39						1	0.94	UEF 206 2S
	40.2						2	1.00	LEF 206 2F
	44.7						3	1.00	UYF 206 2S
	48.1						4	1.07	LYF 206 2F
	32						5	0.94	LSF 206 2F
35	43.3	34	13	92	118	14	6	1.35	LKF 207 2F + H2307
	42.3						1	1.27	UEF 207 2S
	44.5						2	1.34	LEF 207 2F
	48.4						3	1.39	UYF 207 2S
	51.3						4	1.47	LYF 207 2F
	34.3						5	1.28	LSF 207 2F
40	48	36	14	102	130	16	6	1.75	LKF 208 2F + H2308
	46.3						1	1.68	UEF 208 2S
	51.2						2	1.79	LEF 208 2F
	53.7						3	1.82	UYF 208 2S
	52.2						4	1.91	LYF 208 2F
	38						5	1.71	LSF 208 2F
40	50.5	38	16	105	137	16	6	2.10	LKF 209 2F + H2309

\* All bearing units are available from Ductile Cast Iron.



Shaft d	Dimensions (mm)						fig.	Mass kg	Designation
	A	A <sub>1</sub>	A <sub>2</sub>	J	L	N			
45	47.8	38	16	105	137	16	1	2.08	UEF 209 2S
	52.2						2	2.19	LEF 209 2F
	54.7						3	2.19	UYF 209 2S
	56.9						4	2.31	LYF 209 2F
	39.5						5	2.10	LSF 209 2F
	52.5	40	15	111	143	16	6	2.80	LKF 210 2F + H2310
50	49.6	40	15	111	143	16	1	2.43	UEF 210 2F
	54.6						2	2.58	LEF 210 2F
	54.7						3	2.57	UYF 210 2S
	60.1						4	2.76	LYF 210 2F
	40.5						5	2.49	LSF 210 2F
	57.5	43	17	130	162	19	6	3.60	LKF 211 2F + H2311
55	58.4	43	17	130	162	19	2	3.42	LEF 211 2F
	60.9						3	3.39	UYF 211 2S
	68.6						4	3.60	LYF 211 2F
	45						5	3.39	LSF 211 2F
	63.3	48	18	143	175	19	6	4.60	LKF 212 2F + H2312
	68.7	48	18	143	175	19	2	4.27	LEF 212 2F
60	69.3						3	3.84	UYF 212 2F
	75.8						4	4.47	LYC 212 2F
	65.8	50	22	149	187	19	6	6.00	LKF 213 2F + H2313
	72.9	50	22	149	187	19	2	5.57	LEF 213 2F
	81.6						4	6.10	LYF 213 2F
	73.7	50.3	21.3	152	193	19	6	7.00	LKF 215 2F + H2315
70	70.7	50.3	21.3	152	193	19	2	6.20	LEF 214 2F
	82.6						4	6.70	LYF 214 2F
	76.5	53.6	22.1	159	200	19	6	7.80	LKF 216 2F + H2316
	80.3	53.6	22.1	159	200	19	2	7.00	LEF 215 2F
75	88.8						4	7.60	LYF 215 2S
	81.6	54.5	22	165	208	23	2	7.50	LEF 216 2F
80	93.6						4	8.34	LYF 216 2F
	88.6	63.4	23.4	187	235	23	6	11.6	LKF 218 2F + H2318
	94.0	63.4	23.4	187	235	23	2	11.6	LEF 218 2F
90	102.8						4	12.5	LYF 218 2F
	107.5	70	25	210	265	27	2	13.9	LEF 220 2F
100	93.6						4	13.5	LYF 220 2F