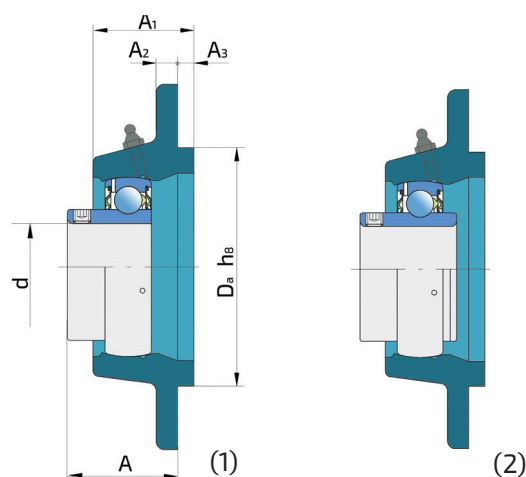
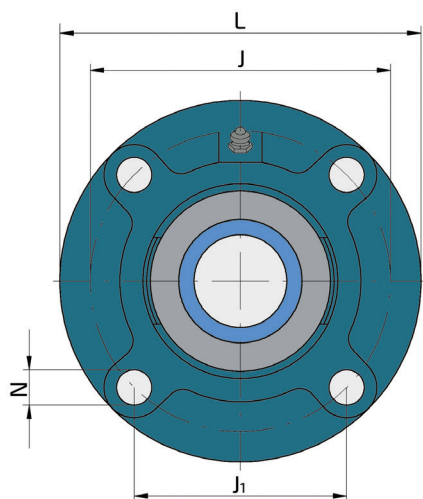


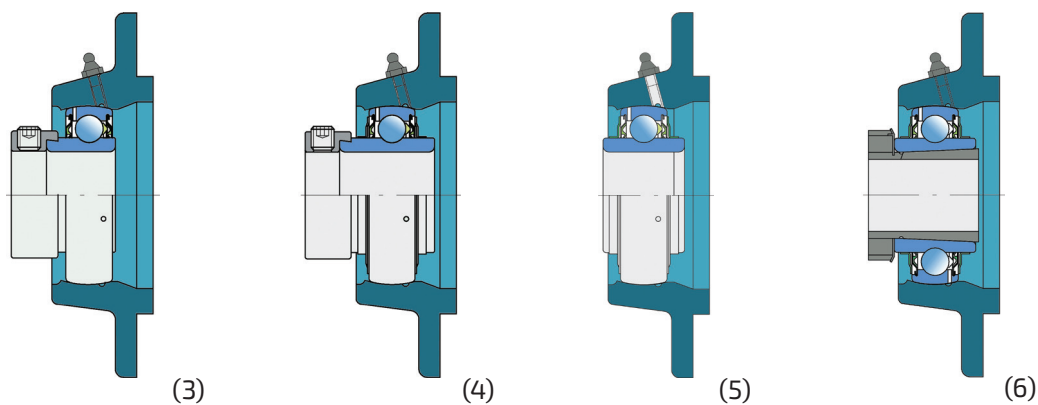
6.6. Y-Bearing Flanged Units with Round Grey Cast Iron Housing "G"

UEG...
LEG...
UYG...
LYG...
LSG...
LKG...



Shaft d	Dimensions (mm)									fig.	Mass kg	Designation
	A	A ₁	A ₂	A ₃	D _a	J	J ₁	L	N			
20	28.3	25.5	7	5	62	78	55.1	100	12	1	0.65	UEG 204 2S
	28.3									2	0.67	LEG 204 2F
	33.5									3	0.69	UYG 204 2S
	36.6									4	0.72	LYG 204 2F
	30	27	7	6	70	90	63.6	115	12	6	0.78	LKG 205 2F + H2305
	25	29.5	27	7	6	70	90	63.6	115	12	1	0.95
29.5										2	0.98	LEG 205 2F
33.5										3	0.98	UYG 205 2S
36.9										4	1.03	LYG 205 2F
20.5										5	0.93	LSG 205 2F
32		31	8	8	80	100	70.7	125	12	6	1.45	LKG 206 2F + H2306
30	31	31	8	8	80	100	70.7	125	12	1	1.34	UEG 206 2S
	32.2									2	1.40	LEG 206 2F
	36.7									3	1.40	UYG 206 2S
	40.1									4	1.47	LYG 206 2F
	23									5	1.48	LSG 206 2F
	35.3	34	9	8	90	110	77.8	135	14	6	1.60	LKG 207 2F + H2307
35	34.3	34	9	8	90	110	77.8	135	14	1	1.57	UEG 207 2S
	36.5									2	1.64	LEG 207 2F
	40.4									3	1.69	UYG 207 2S
	43.3									4	1.77	LYG 207 2F
	23.8									5	1.66	LSG 207 2F
	38.5	36	9	10	100	120	84.8	145	14	6	2.10	LKG 208 2F + H2308
40	36.3	36	9	10	100	120	84.8	145	14	1	1.78	UEG 208 2S
	41.2									2	1.89	LEG 208 2F
	43.7									3	1.92	UYG 208 2S
	45.9									4	2.01	LYG 208 2F
	24.5									5	1.93	LSG 208 2F
	38.5	38	14	12	105	132	93.3	160	16	6	2.75	LKG 209 2F + H2309

* All bearing units are available from Ductile Cast Iron.



Shaft		Dimensions (mm)								fig	Mass kg	Designation
d	A	A ₁	A ₂	A ₃	D _a	J	J ₁	L	N			
45	35.8	38	14	12	105	132	93.3	160	16	1	2.53	UEG 209 2S
	40.2									2	2.64	LEG 209 2F
	42.7									3	2.64	UYG 209 2S
	44.9									4	2.76	LYG 209 2F
	24									5	2.66	LSG 209 2F
	40	40	14	12	110	138	97.6	165	16	6	3.00	LKG 210 2F + H2310
50	37.6	40	14	12	110	138	97.6	165	16	1	2.78	UEG 210 2S
	42.6									2	2.93	LEG 210 2F
	42.7									3	2.92	UYG 210 2S
	48.1									4	3.11	LYG 210 2F
	24									5	3.07	LSG 210 2F
	57	43	15	12	125	150	106.1	185	19	6	3.26	LKG 211 2F + H2311
55	46.4	43	15	12	125	150	106.1	185	19	2	4.07	LEG 211 2F
	48.9									3	4.04	UYG 211 2S
	56.6									4	4.25	LYG 211 2F
	27.5									5	3.99	LSG 211 2F
	59	48	15	12	135	160	113.1	195	19	6	4.07	LKG 212 2F + H2312
60	56.7	48	15	12	135	160	113.1	195	19	2	5.02	LEG 212 2F
	57.3									3	4.59	UYG 212 2S
	63.8									4	5.22	LYG 212 2F
65	58.9	50	15	14	145	170	120.2	205	19	2	5.85	LEG 213 2F
	67.6									4	6.59	LYG 213 2F