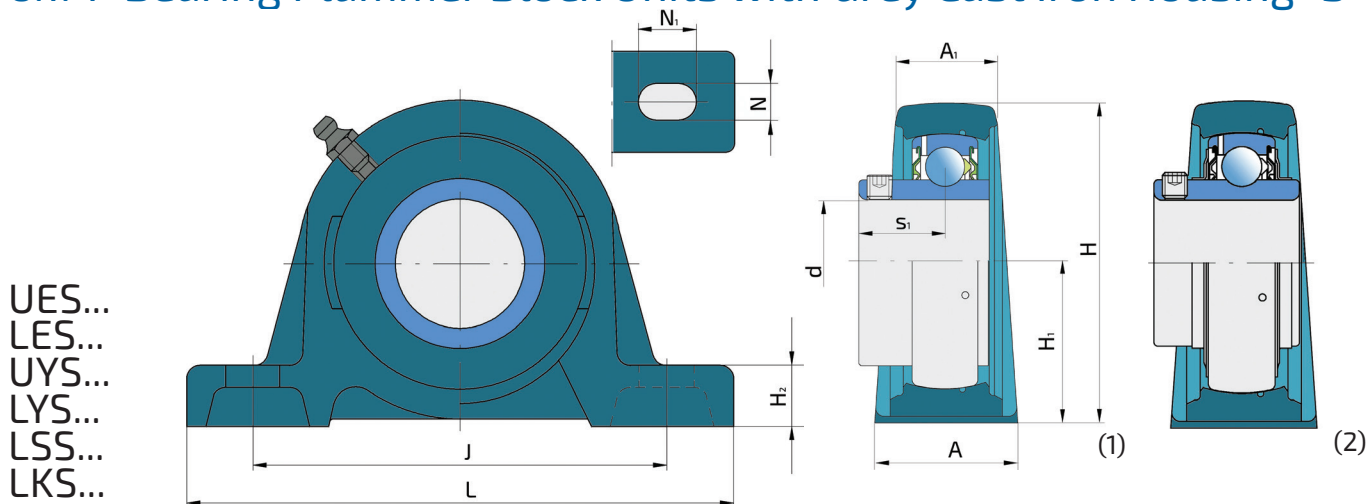
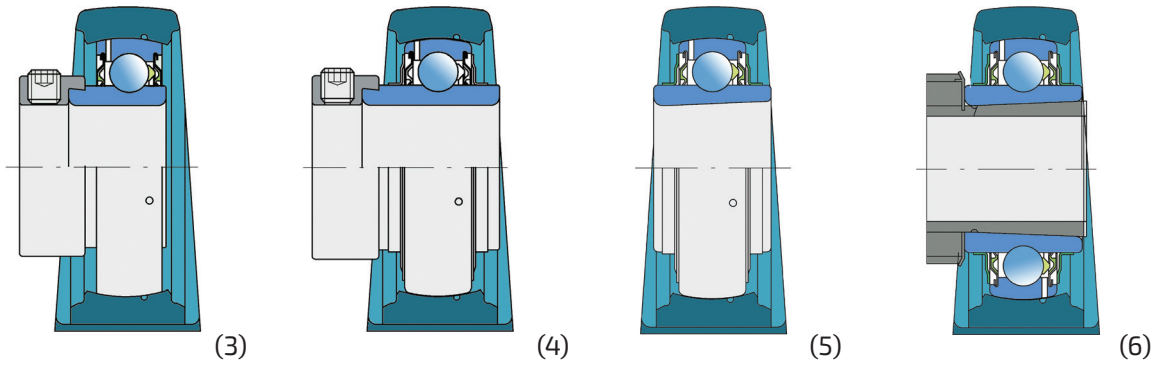


## 6.1. Y-Bearing Plummer Block Units with Grey Cast Iron Housing "S"



Shaft	Dimensions (mm)											fig.	Mass kg	Designation
	d	A	A <sub>1</sub>	H	H <sub>1</sub>	H <sub>2</sub>	J <sub>min.</sub>	J <sub>max.</sub>	L	N	N <sub>1</sub>			
17	32	18	56.2	30.2	14	88	106	127	11.5	20.5	15.9	1	0.48	UES 203 2S
												2	0.50	LES 203 2F
												3	0.52	UYS 203 2S
												4	0.54	LYS 203 2F
20	34	23	63.8	33.3	14	89	104.5	127	13	20.7	18.3	1	0.55	UES 204 2S
												2	0.57	LES 204 2F
												3	0.59	UYS 204 2S
												4	0.62	LYS 204 2F
25	38	24	69.5	36.5	16	94	111	140	13	21.5	20	6	0.77	LKS 205 2F + H2305
												1	0.70	UES 205 2S
												2	0.73	LES 205 2F
												3	0.73	UYS 205 2S
												4	0.78	LYS 205 2F
30	42	27	81.4	42.9	16	111	125	165	17	24	22	6	1.15	LKS 206 2F + H2306
												1	1.06	UES 206 2S
												2	1.12	LES 206 2F
												3	1.12	UYS 206 2S
												4	1.19	LYS 206 2F
												5	1.06	LSS 206 2F
35	46	28	92.1	47.6	17	122	136	167	17	24	24.3	6	1.55	LKS 207 2F + H2307
												1	1.46	UES 207 2S
												2	1.53	LES 207 2F
												3	1.58	UYS 207 2S
												4	1.70	LYS 207 2F
												5	1.47	LSS 207 2F
40	49	31	98.2	49.2	18	128	145	184	17	25.5	27	6	1.90	LKS 208 2F + H2308
												1	1.85	UES 208 2S
												2	1.96	LES 208 2F
												3	1.99	UYS 208 2S
												4	2.08	LYS 208 2F
												5	1.88	LSS 208 2F
52	36	107	54	20	136	151	190	17	23.5	28.5	28.5	6	2.35	LKS 209 2F + H2309

\* All bearing units are available from Ductile Cast Iron.



Shaft	Dimensions (mm)												fig.	Mass kg	Designation
	d	A	A <sub>1</sub>	H	H <sub>1</sub>	H <sub>2</sub>	J <sub>min.</sub>	J <sub>max.</sub>	L	N	N <sub>1</sub>	s <sub>1</sub>			
45	52	36	107	54	20	136	151	190	17	23.5	25.8	1	2.23	UES 209 2S	
												2	2.34	LES 209 2F	
												3	2.34	UYS 209 2S	
												4	2.46	LYS 209 2F	
												5	2.25	LSS 209 2F	
	58	38	113.2	57.2	22	151	164	206	20	26.5	30.5	6	2.85	LKS 210 2F + H2310	
50	58	38	113.2	57.2	22	151	164	206	20	26.5	27.6	1	2.59	UES 210 2S	
												2	2.74	LES 210 2F	
												3	2.73	UYS 210 2S	
												4	2.92	LYS 210 2F	
												5	2.65	LSS 210 2F	
	60	40	125.5	63.5	24	163	180	219	20	27.5	32.5	6	3.75	LKS 211 2F + H2311	
55	60	40	125.5	63.5	24	163	180	219	20	27.5	33.4	2	3.62	LES 211 2F	
												3	3.59	UYS 211 2S	
												4	3.80	LYS 211 2F	
												5	3.59	LSS 211 2F	
												6	4.55	LKS 212 2F + H2312	
60	65	47	136.8	69.8	26.5	179	198	241	20	29.5	34.3	6	4.55	LKS 212 2F + H2312	
												2	4.62	LES 212 2F	
												3	4.19	UYS 212 2S	
												4	4.82	LYS 212 2F	
												6	5.70	LKS 213 2F + H2313	
65	70	49	150	76.2	27	193	213	265	25	35	35.8	6	5.70	LKS 213 2F + H2313	
												2	6.02	LES 213 2F	
												4	6.55	LYS 213 2F	
												6	7.55	LKS 215 2F + H2315	
												7	7.55	LKS 215 2F + H2315	
70	72	46	155	79.4	27	205	215	266	25	30	39.7	2	6.60	LES 214 2F	
												4	7.10	LYS 214 2F	
												6	9.50	LKS 216 2F + H2316	
												2	7.80	LES 215 2F	
												4	8.40	LYS 215 2F	
80	78	50	175	88.9	30	222	242	292	25	35	47.6	2	9.20	LES 216 2F	
												4	10.0	LYS 216 2F	
												6	13.7	LKS 218 2F + H2318	
												2	13.7	LES 218 2F	
												4	14.6	LYS 218 2F	
90	88	54	200	101.6	33	254	270	327	27	35	47	6	13.7	LKS 218 2F + H2318	
												2	13.7	LES 218 2F	
												4	14.6	LYS 218 2F	
												2	17.8	LES 220 2F	
												4	17.4	LYS 220 2F	