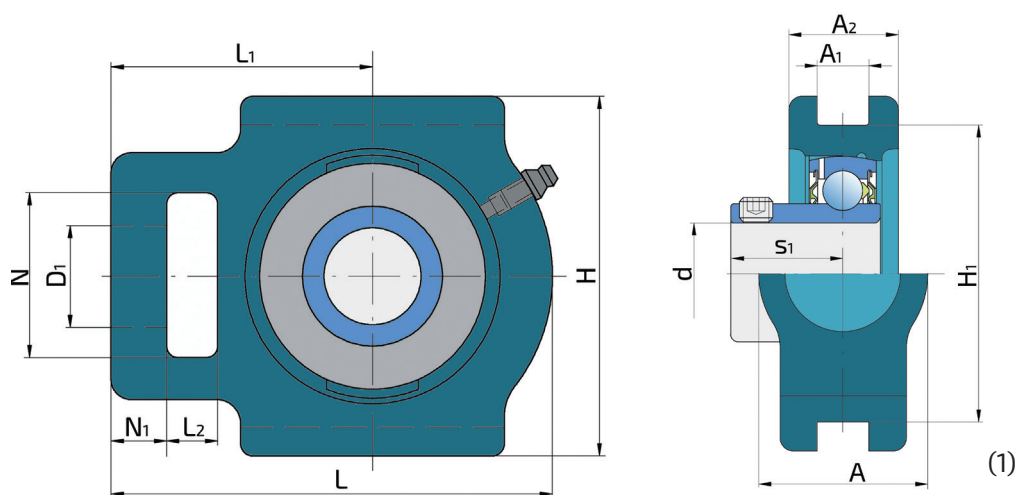


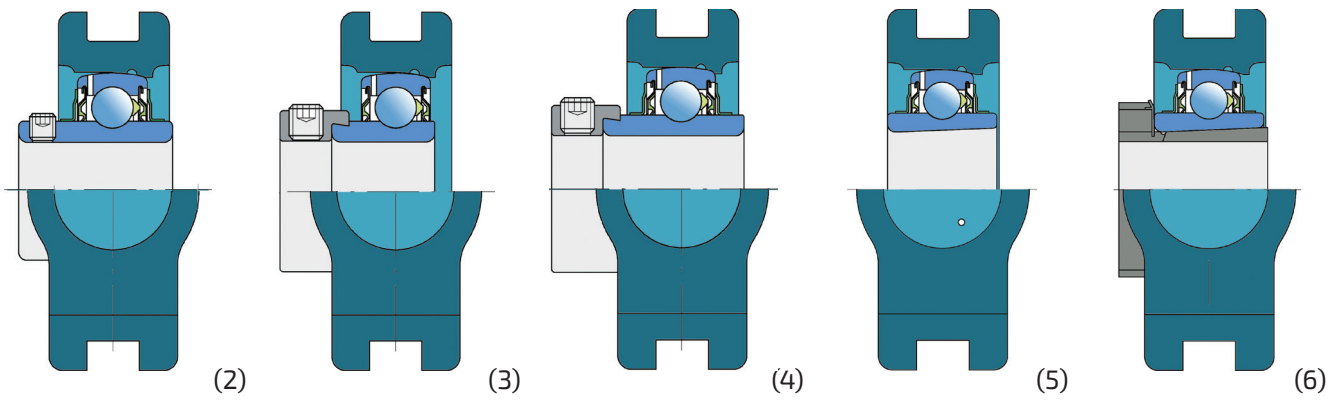
6.7. Y-Bearing Take - Up Units with Grey Cast Iron Housings "T"

UET...
LET...
UYT...
LYT...
LST...
LKT...



Shaft d	Dimensions (mm)											fig.	Mass kg	Designation	
	A	A ₁	A ₂	D ₁	H	H ₁	L	L ₁	L ₂	N	N ₁				s ₁
20	34	13.5	25	19	92	76	97	62	16	32	10	18.3	1	0.89	UET 204 2S
													2	0.91	LET 204 2F
													3	0.93	UYT 204 2S
													4	0.96	LYT 204 2F
													6	0.94	LKT 205 2F + H2305
													23.5	2	0.88
25	34	13.5	25	19	91	76	100	64	16	33	10	19.5	1	0.85	UET 205 2S
													2	0.88	LET 205 2F
													3	0.88	UYT 205 2S
													4	0.93	LYT 205 2F
													5	0.85	LST 205 2F
													11.5	6	1.37
30	37	13.5	28	22	104	89	114	70	16	37	10	21	1	1.21	UET 206 2S
													2	1.27	LET 206 2F
													3	1.27	UYT 206 2S
													4	1.34	LYT 206 2F
													5	1.21	LST 206 2F
													30.1	6	1.66
35	37	13.5	30	22	103	89	129	78	17	38	12	23.3	1	1.50	UET 207 2S
													2	1.57	LET 207 2F
													3	1.62	UYT 207 2S
													4	1.70	LYT 207 2F
													5	1.51	LST 207 2F
													32.3	6	2.43
40	49	17.5	33	29	115	101	145	88	19	50	15	25.3	1	2.23	UET 208 2S
													2	2.34	LET 208 2F
													3	2.37	UYT 208 2S
													4	2.46	LYT 208 2F
													5	2.26	LST 208 2F
													34.9	6	2.47
49	17.5	35	29	117	101	144	87	19	49	15	35	35	6	2.47	LKT 209 2F + H2309

* All bearing units are available with Ductile Cast Iron.



Shaft d	Dimensions (mm)												fig.	Mass kg	Designation
	A	A ₁	A ₂	D ₁	H	H ₁	L	L ₁	L ₂	N	N ₁	s ₁			
45	49	17.5	35	29	117	101	144	87	19	49	15	25.8	1	2.23	UET 209 2S
													2	2.34	LET 209 2F
													3	2.34	UYT 209 2S
													4	2.46	LYT 209 2F
													5	2.25	LST 209 2F
													6	2.63	LKT 210 2F + H2310
50	49	17.5	36	29	117	101	149	90	19	49	16	27.6	1	2.28	UET 210 2S
													2	2.43	LET 210 2F
													3	2.42	UYT 210 2S
													4	2.61	LYT 210 2F
													5	2.34	LST 210 2F
	64	27	41	35	146	130	171	106	25	64	19	42.5	6	4.16	LKT 211 2F + H2311
55	64	27	41	35	146	130	171	106	25	64	19	33.4	2	4.02	LET 211 2F
													3	3.99	UYT 211 2S
													4	4.20	LYT 211 2F
													5	3.99	LST 211 2F
	64	22	41	35	146	130	171	106	25	64	19	16.5	5	3.99	LST 211 2F