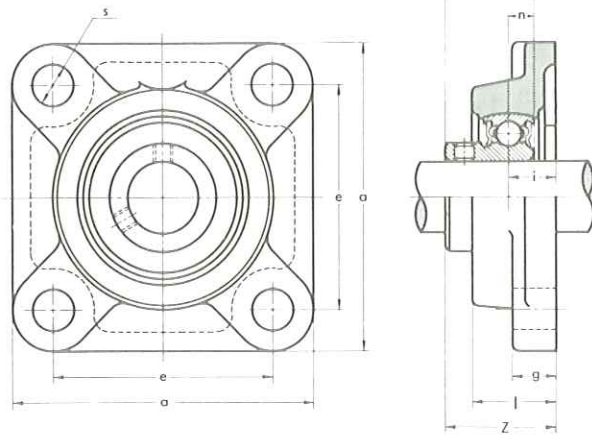


SQUARE FLANGE UNITS

BF 200 type

Light Duty
Set-screw Locking

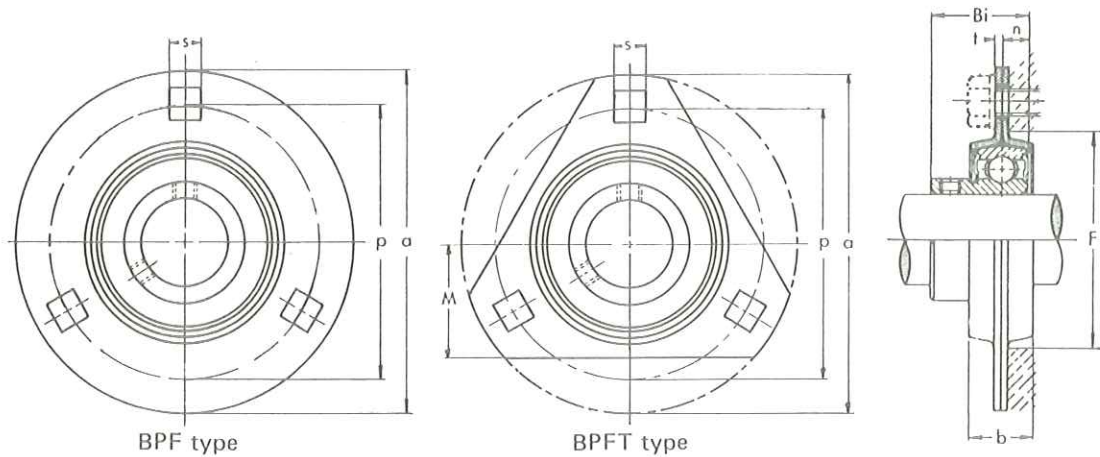


Unit No.	Shaft Diam. mm	Dimensions mm									Bolt Size mm	Bearing No.	Housing No.	Weight kg
		a	e	i	g	l	s	Z	Bi	n				
BF 204	20	86	64	15	12	25.5	12	32.7	24.7	7	M10	B 4	F 204	0.55
BF 205	25	95	70	16	14	27	12	35.5	27	7.5	M10	B 5	F 205	0.79
BF 206	30	108	83	18	14	31	12	40.3	30.3	8	M10	B 6	F 206	1.1
BF 207	35	117	92	19	16	34	14	43.4	32.9	8.5	M12	B 7	F 207	1.5

PRESSED STEEL HOUSING FLANGE UNITS

BPF type BPFT type

Light Duty
Set-screw Locking



Unit No.		Shaft Diam. mm	Dimensions mm									Bolt Size mm	Bearing No.	Housing No.		Weight kg
			a	p	i	b	s	F (Min.)	M	Bi	n					
BPF 1	BPFT 1	12	81	63.5	2	14	7	49	29	22	6	M6	B 1	PF 3	PFT 3	0.21
BPF 2	BPFT 2	15	81	63.5	2	14	7	49	29	22	6	M6	B 2	PF 3	PFT 3	0.20
BPF 3	BPFT 3	17	81	63.5	2	14	7	49	29	22	6	M6	B 3	PF 3	PFT 3	0.18
BPF 4	BPFT 4	20	90	71.5	2	16	9	56	33	24.7	7	M8	B 4	PF 4	PFT 4	0.25
BPF 5	BPFT 5	25	95	76	2	18	9	60	35	27	7.5	M8	B 5	PF 5	PFT 5	0.35
BPF 6	BPFT 6	30	113	90.5	2.6	18	11	71	38	30.3	8	M10	B 6	PF 6	PFT 6	0.54
BPF 7	BPFT 7	35	120	100	2.6	20	11	81	45	32.9	8.5	M10	B 7	PF 7	PFT 7	0.71