

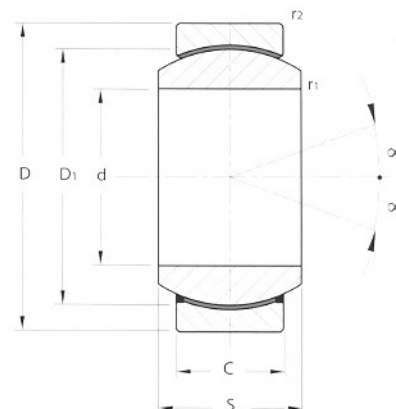
SRB...

SRT... - 2RS

SPHERICAL PLAIN BEARINGS

-MAINTENANCE FREE

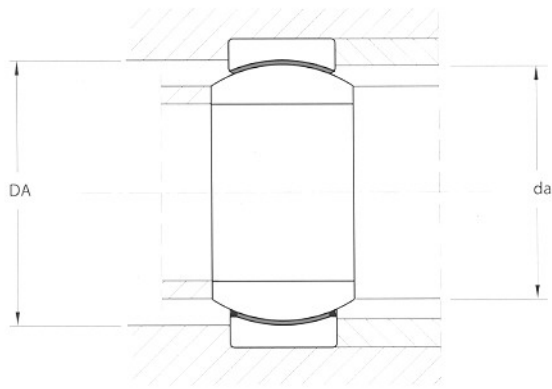
-COUPLING:HARD CHROMIUM/PTFE



CODE BEARINGS WITHOUT PROTECTION RINGS	BEARINGS WITH PROTECTION RINGS	d	D	S	C	TOLERANCE				r1	R2
						d	D	S	C		
mm.											
SRB 6		6	14	6	4	0 ± -0.008	0 ± -0.008	0 ± -0.12	0 ± -0.24	0.3	0.3
SRB 8		8	16	8	5	0 ± -0.008	0 ± -0.008	0 ± -0.12	0 ± -0.24	0.3	0.3
SRB 10		10	19	9	6	0 ± -0.008	0 ± -0.009	0 ± -0.12	0 ± -0.24	0.3	0.3
SRB 12		12	22	10	7	0 ± -0.008	0 ± -0.009	0 ± -0.12	0 ± -0.24	0.3	0.3
SRB 15		15	26	12	9	0 ± -0.008	0 ± -0.009	0 ± -0.12	0 ± -0.24	0.3	0.3
SRB 17	SRT 17 - 2RS	17	30	14	10	0 ± -0.008	0 ± -0.009	0 ± -0.12	0 ± -0.24	0.3	0.3
SRB 20	SRT 20 - 2RS	20	35	16	12	0 ± -0.010	0 ± -0.011	0 ± -0.12	0 ± -0.24	0.3	0.3
SRB 25	SRT 25 - 2RS	25	42	20	16	0 ± -0.010	0 ± -0.011	0 ± -0.12	0 ± -0.24	0.6	0.3
SRB 30	SRT 30 - 2RS	30	47	22	18	0 ± -0.010	0 ± -0.011	0 ± -0.12	0 ± -0.24	0.6	0.6
	SRT 35 - 2RS	35	55	25	20	0 ± -0.012	0 ± -0.013	0 ± -0.12	0 ± -0.30	0.6	0.6
	SRT 40 - 2RS	40	62	28	22	0 ± -0.012	0 ± -0.013	0 ± -0.12	0 ± -0.20	0.6	1.0
	SRT 45 - 2RS	45	68	32	25	0 ± -0.012	0 ± -0.013	0 ± -0.12	0 ± -0.30	0.6	1.0
	SRT 50 - 2RS	50	75	35	28	0 ± -0.012	0 ± -0.013	0 ± -0.12	0 ± -0.30	0.6	1.0
	SRT 60 - 2RS	60	90	44	36	0 ± -0.015	0 ± -0.015	0 ± -0.15	0 ± -0.40	0.6	1.0
	SRT 70 - 2RS	70	105	49	40	0 ± -0.015	0 ± -0.015	0 ± -0.15	0 ± -0.40	1.0	1.0
	SRT 80 - 2RS	80	120	55	45	0 ± -0.015	0 ± -0.015	0 ± -0.15	0 ± -0.40	1.0	1.0
	SRT 90 - 2RS	90	130	60	50	0 ± -0.020	0 ± -0.018	0 ± -0.20	0 ± -0.50	1.0	1.0
	SRT 100 - 2RS	100	150	70	55	0 ± -0.020	0 ± -0.018	0 ± -0.20	0 ± -0.50	1.0	1.0
	SRT 110 - 2RS	110	160	70	55	0 ± -0.020	0 ± -0.025	0 ± -0.20	0 ± -0.50	1.0	1.0
	SRT 120 - 2RS	120	180	85	70	0 ± -0.020	0 ± -0.025	0 ± -0.20	0 ± -0.50	1.0	1.0
	SRT 140 - 2RS	140	210	90	70	0 ± -0.025	0 ± -0.030	0 ± -0.25	0 ± -0.60	1.0	1.0
	SRT 160 - 2RS (1)	160	230	105	80	0 ± -0.025	0 ± -0.030	0 ± -0.25	0 ± -0.60	1.0	1.0
	SRT 180 - 2RS (1)	180	260	105	80	0 ± -0.025	0 ± -0.035	0 ± -0.25	0 ± -0.70	1.0	1.0
	SRT 200 - 2RS (1)	200	290	130	100	0 ± -0.030	0 ± -0.035	0 ± -0.30	0 ± -0.70	1.1	1.1
	SRT 220 - 2RS (1)	220	320	135	100	0 ± -0.030	0 ± -0.040	0 ± -0.30	0 ± -0.80	1.1	1.1
	SRT 240 - 2RS (1)	240	340	140	100	0 ± -0.030	0 ± -0.040	0 ± -0.30	0 ± -0.80	1.1	1.1
	SRT 260 - 2RS (1)	260	370	150	110	0 ± -0.035	0 ± -0.040	0 ± -0.35	0 ± -0.80	1.1	1.1
	SRT 280 - 2RS (1)	280	400	155	120	0 ± -0.035	0 ± -0.040	0 ± -0.35	0 ± -0.80	1.1	1.1
	SRT 200 - 2RS (1)	300	430	165	120	0 ± -0.035	0 ± -0.045	0 ± -0.35	0 ± -0.90	1.1	1.1

(1) AVAILABILITY AND PRICE UPON REQUEST

NOTES: TO AVOID THE DAMAGE OR THE LOSS OF THE PROTECTION RINGS(-2RS) DO NOT ALLOW INNER BALL TO ROTATE OUT OF THE EXTERNAL HOUSING.



d	D1	OSCILLATION ANGLE α	LOAD FACTOR		RADIAL CLEARANCE	MOUNTING DIMENSIONS		WEIGHT
			DYNAM. C	STA. CO		da max.	DA min.	
mm.		GRADI	KN		mm.		Kg.	
6	10	13	3.6	9	0 - 0.032	8	9.6	0.004
8	13	15	5.85	14.6	0 - 0.032	10.2	12.5	0.007
10	16	12	8.65	21.6	0 - 0.032	13.2	15.5	0.01
12	18	11	11.4	28.5	0 - 0.032	14.9	17.5	0.01
15	22	8	17.6	44	0 - 0.040	18.4	21	0.02
17	25	10	22.4	30 (1)	0 - 0.040	20.7	24	0.03
20	29	9	31.5	41.5 (1)	0 - 0.040	24.1	27.5	0.06
25	35.5	7	51	68 (1)	0 - 0.050	29.3	33	0.11
30	40.7	6	65.5	88 (1)	0 - 0.050	34.2	38	0.14
35	47	6	112	224	0 - 0.050	39.7	44.5	0.22
40	53	7	140	280	0 - 0.060	45	51	0.30
45	60	7	180	360	0 - 0.060	50.7	57	0.40
50	66	6	220	440	0 - 0.060	55.9	63	0.54
60	80	6	345	695	0 - 0.060	66.8	75	1.00
70	92	6	440	880	0 - 0.072	77.8	87	1.50
80	105	6	570	1140	0 - 0.072	89.4	99	2.20
90	115	5	695	1370	0 - 0.072	98.1	108	2.70
100	130	7	865	1730	0 - 0.085	109.5	123	4.30
110	140	6	930	1860	0 - 0.085	121.2	134	4.70
120	160	6	1340	2700	0 - 0.085	135.5	150	8.00
140	180	7	1500	3000	0 - 0.085	155.8	173	11.00
160	200	8	1930	3800	0 - 0.100	170.2	191	13.50
180	225	6	2160	4300	0 - 0.100	198.9	219	18.50
200	250	7	3000	6000	0 - 0.100	213.5	239	28.00
220	275	8	3350	6550	0 - 0.100	239.5	267	35.50
240	300	8	3600	7200	0 - 0.100	265.3	295	40.00
260	325	7	4300	8650	0 - 0.110	288.3	319	50.00
280	350	6	5000	10000	0 - 0.110	313.8	342	64.00
300	375	7	5400	10800	0 - 0.110	336.7	370	75.00

(1) LOAD FACTORS BEARING SRT...-2RS