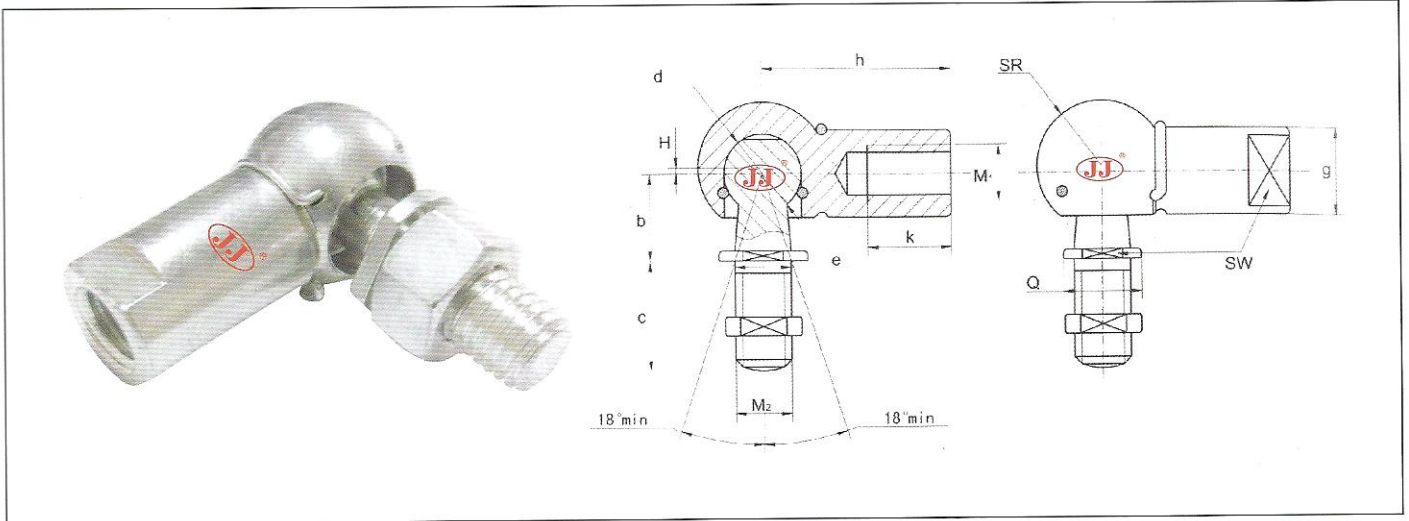




Rod ends



Bearing number	Dimensions mm													kN		Weight ≈kg	
	h ±0.3	g ±0.5	M ₁ 6H	M ₁ 6g	Sφd	b ±0.3	SW h14	Q h14	c ±0.3	e	H ±0.5	k min	SR ±0.5	Static Load ratings kN/			
CS8	22	8	M5X0.8	M5X0.8	8	9	7	8	10	5	0.7	10.2	6.4	15.2	0.014	✓	
CS10	25	10	M6X1.0	M6X1.0	10	11	8	10	12.5	6	0.7	11.5	7.4	25.2	0.024	✓	
CS13	30	13	M8X1.25	M8X1.25	13	13	11	13	16.5	8	1.16	14	9.65	53.1	0.053	✓	
CS16	35	16	M10X1.5	M10X1.5	16	16	13	16	20	10	1.16	15.5	12	103.8	0.097	✓	
CS16-1	35	16	M12X1.75	M12X1.75	16	16	13	16	20	12	1.16	15.5	12	103.8	0.097	○	
CS19	45	22	M14X2	M14X2	19	20	17	22	27	14	1.5	21.5	15	220.9	0.218	✓	
CS19-1	45	22	M14X1.5	M14X1.5	19	20	17	22	27	14	1.5	21.5	15	220.9	0.218	✓	

Technology Condition:

- 1.Circle swing agilely without any blocked.
- 2.Surface treatment:Zn plated, inner parts are full of lubricate oil.
- 3.Ball joint shaft:Steel bering,shaft 35#steel.
- 4.Ball joint housing:Ball joint housing:45#steel.
- 5.Work on-40℃ ~ 120℃ temperature.Excellent performance.
- 6.Standard reference:QC/T327-1999& other relative standard.