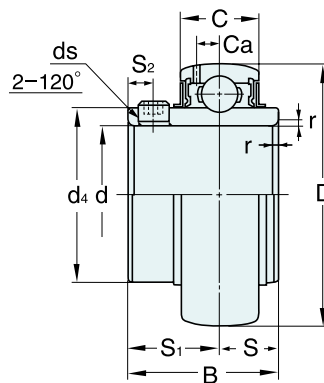


DIMENSIONS

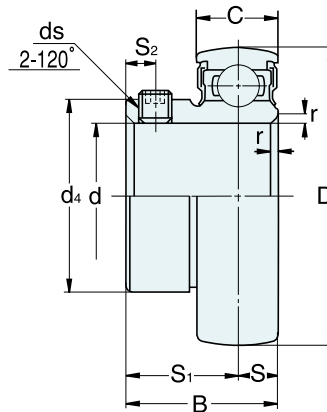
BALL BEARINGS FOR UNITS
MUC200
MUC200C4HR20



Shaft dia. (mm)	Unit No.	Dimensions (mm)											Basic Load Rating (kN)		Weight (kg)
		d	D	B	C	r	S	S ₁	S ₂	ds	Ca	d ₄	Cr	Cor	
12	MUC201	12	47	31	17	1	12.7	18.3	4.5	M 6 × 1	4.5	29	10.9	5.3	0.21
15	MUC202	15	47	31	17	1	12.7	18.3	4.5	M 6 × 1	4.5	29	10.9	5.3	0.19
17	MUC203	17	47	31	17	1	12.7	18.3	4.5	M 6 × 1	4.5	29	10.9	5.3	0.18
20	MUC204	20	47	31	17	1.5	12.7	18.3	4.5	M 6 × 1	4.5	29	10.9	5.3	0.16
25	MUC205	25	52	34.1	17	1.5	14.3	19.8	5	M 6 × 1	4.5	34	11.9	6.3	0.19
30	MUC206	30	62	38.1	19	1.5	15.9	22.2	5	M 6 × 1	5.1	40.5	16.7	9.0	0.31
35	MUC207	35	72	42.9	20	2	17.5	25.4	6	M 8 × 1	5.8	48	22.0	12.3	0.48
40	MUC208	40	80	49.2	21	2	19	30.2	8	M 8 × 1	6.2	53	24.9	14.3	0.62
45	MUC209	45	85	49.2	22	2	19	30.2	8	M 8 × 1	6.5	57.3	28.1	16.4	0.67
50	MUC210	50	90	51.6	23	2	19	32.6	9	M10×1.25	6.5	63	30.2	18.6	0.78

—MADE TO ORDER— For food processing machine pre-lubricated with Food Grade Lubricant, add suffix FD e.g. MUC205FD
For high temperature application of food processing machine, add suffix C4HR20 e.g. MUC205C4HR20

BALL BEARINGS FOR UNITS
MB



Shaft dia. (mm)	Unit No.	Dimensions (mm)											Basic Load Rating (kN)		Weight (kg)
		d	D	B	C	r	S	S ₁	S ₂	ds	d ₄	Cr	Cor		
20	MB4 FD	20	47	24.7	14	1.5	7	17.7	4.5	M5×0.8	29	10.9	5.3	0.12	
25	MB5 FD	25	52	27	15	1.5	7.5	19.5	5	M6×0.75	34	11.9	6.3	0.16	
30	MB6 FD	30	62	30.3	16	1.5	8	22.3	5	M6×0.75	40.5	16.7	9	0.25	
35	MB7 FD	35	72	32.9	17	2	8.5	24.4	6	M8×1	48	22	12.3	0.38	
40	MB8 FD	40	80	35.5	18	2	9	26.9	8	M8×1	53	24.9	14.3	0.49	

— Designs and specifications are subject to change without prior notice —