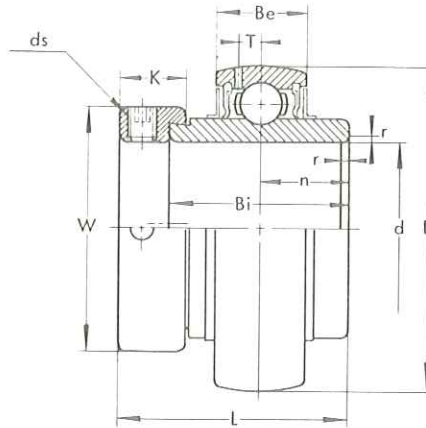


BALL BEARINGS

UG 200+ER type

Normal Duty
Eccentric Collar Locking



《Metric series》

Bearing No.	Dimensions (mm)											Basic Load Rating (kgf)		Weight (kg)
	d	D	L	Bi	Be	r	n	T	W	K	ds	Dynamic C	Static C ₀	
UGW 201+ER	12	40	37.3	27.8	15	1	13.9	4	28.6	13.5	M 6×0.75	975	460	0.16
UGW 202+ER	15	40	37.3	27.8	15	1	13.9	4	28.6	13.5	M 6×0.75	975	460	0.14
UGW 203+ER	17	40	37.3	27.8	15	1	13.9	4	28.6	13.5	M 6×0.75	975	460	0.13
UG 204+ER	20	47	43.7	34.2	17	1.5	17.1	4.5	33.3	13.5	M 6×0.75	1310	635	0.21
UG 205+ER	25	52	44.4	34.9	17	1.5	17.5	4.5	38.1	13.5	M 6×0.75	1430	730	0.23
UG 206+ER	30	62	48.4	36.5	19	1.5	18.3	5.1	44.5	15.9	M 8×1	2000	1050	0.37
UG 207+ER	35	72	51.1	37.6	20	2	18.8	5.8	55.6	17.5	M10×1.25	2640	1430	0.6
UG 208+ER	40	80	56.3	42.8	21	2	21.4	6.2	60.3	18.3	M10×1.25	2990	1650	0.76
UG 209+ER	45	85	56.3	42.8	22	2	21.4	6.5	63.5	18.3	M10×1.25	3350	1890	0.79
UG 210+ER	50	90	62.7	49.2	23	2	24.6	6.5	69.9	18.3	M10×1.25	3600	2110	0.91
UG 211+ER	55	100	71.4	55.5	24	2.5	27.8	7.3	76.2	20.7	M12×1.5	4400	2670	1.26
UG 212+ER	60	110	77.8	61.9	26	2.5	31	7.7	84.2	22.3	M12×1.5	5350	3300	1.7

《Inch series》

Bearing No.	Dimensions (in)											Basic Load Rating (lbf)		Weight (lb)
	d	D	L	Bi	Be	r	n	T	W	K	ds (UNF)	Dynamic C	Static C ₀	
UGW 201-8+ER	1/2	1.5748	1 13/32	1 3/32	0.591	0.039	35/32	0.157	1 1/8	11/32	1/4-28	2150	1010	0.35
UGW 202-9+ER	9/16													0.31
UGW 202-10+ER	5/8													0.29
UGW 203-11+ER	7/16	1.8504	1 23/32	1 11/32	0.669	0.059	41/4	0.177	1 5/16	11/32	1/4-28	2890	1400	0.46
UG 204-12+ER	3/4													0.51
UG 205-14+ER	7/8													0.51
UG 205-15+ER	15/16	2.0472	1 3/4	1 3/8	0.669	0.059	11/16	0.177	1 1/2	11/32	1/4-28	3150	1610	0.51
UG 205-16+ER	1													0.51
UG 206-18+ER	1 1/8													2.4409
UG 206-19+ER	1 3/16	0.82												
UG 206-20+ER	1 1/4	0.82												
UG 207-20+ER	1 1/4	2.8346	2 1/4	1 3/4	0.787	0.079	0.742	0.228	2 3/16	11/16	3/8-24	5820	3150	1.32
UG 207-21+ER	1 5/16													1.32
UG 207-22+ER	1 3/8													1.32
UG 207-23+ER	1 7/16													1.32
UG 208-24+ER	1 1/2	3.1496	2 7/32	1 11/16	0.827	0.079	27/32	0.244	2 3/8	23/32	3/8-24	6590	3640	1.68
UG 208-25+ER	1 9/16													1.68
UG 209-26+ER	1 5/8	3.3465	2 7/32	1 11/16	0.866	0.079	27/32	0.256	2 1/2	23/32	3/8-24	7390	4170	1.74
UG 209-27+ER	1 11/16													1.74
UG 209-28+ER	1 3/4													1.74
UG 210-30+ER	1 7/8	3.5433	2 25/32	1 15/16	0.906	0.079	31/32	0.256	2 3/4	23/32	3/8-24	7940	4650	2.01
UG 210-31+ER	1 15/16													2.01
UG 211-32+ER	2	3.9370	2 11/16	2 3/16	0.945	0.098	1 3/32	0.287	3	11/16	7/16-20	9700	5880	2.78
UG 211-34+ER	2 1/8													2.78
UG 211-35+ER	2 3/16													2.78
UG 212-36+ER	2 1/4	4.3307	3 1/16	2 7/16	1.024	0.098	1 7/32	0.303	3 5/16	7/8	7/16-20	11800	7270	3.75
UG 212-38+ER	2 3/8													3.75
UG 212-39+ER	2 7/16													3.75

Note: UG 200+ER series has superseded FG 200+ER bearings.
For availability of the former FG 200+ER, please check with us.