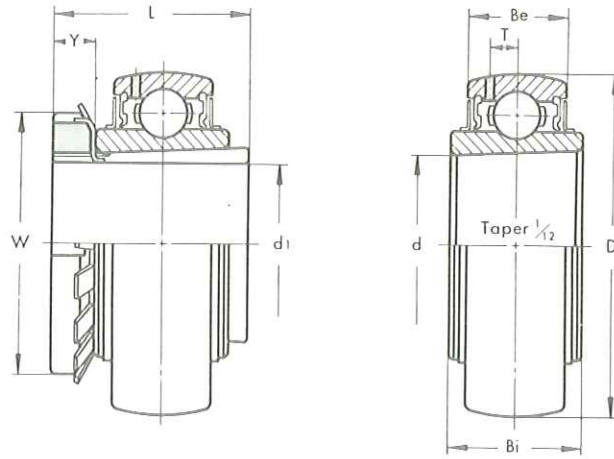


BALL BEARINGS

UK 200 +H type

Normal Duty
Adapter Sleeve Locking



《Metric series》

Bearing No.	Dimensions mm									Basic Load Rating kg		Weight kg
	d ₁	D	L	d	Bi	Be	T	Y	W	Dynamic C	Static C ₀	
UK 205 +H 2305	20	52	35	25	23	17	4.5	8	38	1430	710	0.24
UK 206 +H 2306	25	62	38	30	26	19	5.1	8	45	2000	1020	0.40
UK 207 +H 2307	30	72	43	35	27	20	5.8	9	52	2640	1400	0.53
UK 208 +H 2308	35	80	46	40	29	21	6.2	10	58	2990	1600	0.69
UK 209 +H 2309	40	85	50	45	30	22	6.5	11	65	3350	1810	0.77
UK 210 +H 2310	45	90	55	50	31	23	6.5	12	70	3600	2010	0.93
UK 211 +H 2311	50	100	59	55	33	24	7.3	12	75	4400	2550	1.16
UK 212 +H 2312	55	110	62	60	36	26	7.7	13	80	5350	3150	1.47
UK 213 +H 2313	60	120	65	65	38	27	8.3	14	85	5850	3500	1.82
UK 215 +H 2315	65	130	73	75	41	30	9.2	15	98	6750	4200	2.59
UK 216 +H 2316	70	140	78	80	44	32	9.6	17	105	7400	4550	3.27
UK 217 +H 2317	75	150	82	85	46	34	10.5	18	110	8500	5500	3.92
UK 218 +H 2318	80	160	86	90	49	36	11.1	18	120	9750	6300	4.68

《Inch series》

Bearing No.	Dimensions in.									Basic Load Rating lb.		Weight lb.
	d ₁	D	L	d	Bi	Be	T	Y	W	Dynamic C	Static C ₀	
UK 205 +HE 2305 205 +HA 2305	$\frac{3}{4}$ $\frac{13}{16}$	2.0472	1.378	0.9843	0.906	0.669	0.177	0.315	1.496	3150	1560	0.53
UK 206 +HS 2306 206 +HA 2306 206 +HE 2306	$\frac{7}{8}$ $\frac{15}{16}$ 1	2.4409	1.496	1.1811	1.024	0.748	0.201	0.315	1.772	4410	2250	0.88
UK 207 +HS 2307 207 +HA 2307	$1\frac{1}{8}$ $1\frac{3}{16}$	2.8346	1.693	1.3780	1.063	0.787	0.228	0.354	2.047	5820	3090	1.17
UK 208 +HE 2308 208 +HA 2308 208 +HS 2308	$1\frac{1}{4}$ $1\frac{5}{16}$ $1\frac{3}{8}$	3.1496	1.811	1.5748	1.142	0.827	0.244	0.394	2.283	6590	3530	1.52
UK 209 +HA 2309 209 +HE 2309 209 +HS 2309	$1\frac{7}{16}$ $1\frac{1}{2}$ $1\frac{5}{8}$	3.3465	1.969	1.7717	1.181	0.866	0.256	0.433	2.559	7390	3990	1.70
UK 210 +HA 2310 210 +HE 2310	$1\frac{11}{16}$ $1\frac{3}{4}$	3.5433	2.165	1.9685	1.220	0.906	0.256	0.472	2.756	7940	4430	2.05
UK 211 +HS 2311 211 +HA 2311 211 +HE 2311	$1\frac{7}{8}$ $1\frac{15}{16}$ 2	3.9370	2.323	2.1654	1.299	0.945	0.287	0.472	2.953	9700	5620	2.56
UK 212 +HA 2312 212 +HS 2312	$2\frac{1}{16}$ $2\frac{1}{8}$	4.3307	2.441	2.3622	1.417	1.024	0.303	0.512	3.150	11800	6940	3.24
UK 213 +HA 2313 213 +HE 2313 213 +HS 2313	$2\frac{3}{16}$ $2\frac{1}{4}$ $2\frac{3}{8}$	4.7244	2.559	2.5591	1.496	1.063	0.327	0.551	3.346	12900	7720	4.01
UK 215 +HE 2315	$2\frac{1}{2}$	5.1181	2.874	2.9528	1.614	1.181	0.362	0.591	3.858	14900	9260	5.71
UK 216 +HE 2316	$2\frac{3}{4}$	5.5118	3.071	3.1496	1.732	1.260	0.378	0.669	4.134	16300	10000	7.21
UK 217 +HE 2317	3	5.9055	3.228	3.3465	1.811	1.339	0.413	0.709	4.331	18700	12100	8.64
UK 218 +HS 2318	$3\frac{1}{8}$	6.2992	3.386	3.5433	1.929	1.417	0.437	0.709	4.724	21500	13900	10.31